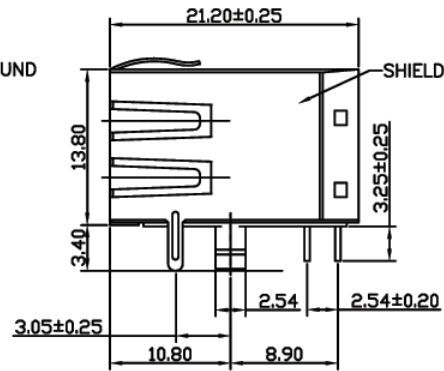
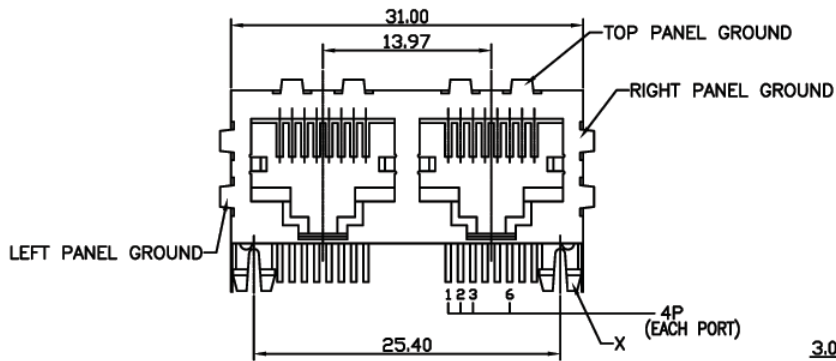


V1.1 NOTE: THIS DEVICE IS ROHS COMPLIANT.

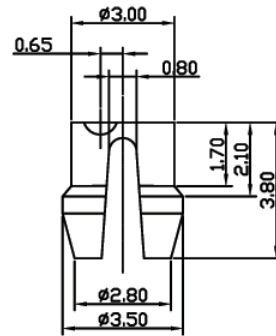
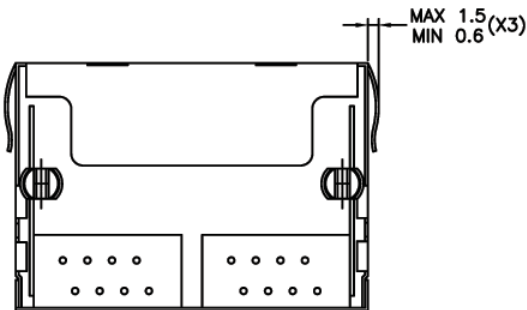
REVISIONS							
SYM	DESCRIPTION	DATE	APPROVED	SYM	DISCRIPTION	DATE	APPROVED
△	NOTE ROHS STANDARD	18/MAY/06'	AARON	△			
△				△			

****CUSTOMER DRAWING FOR REFERENCE ONLY, SAMPLES APPROVAL ARE REQUIRED!!**

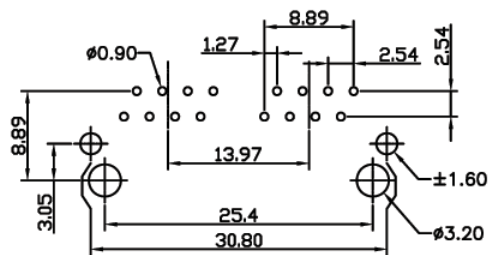


MATERIAL:
 HOUSING: PBT POLYESTER UL94V-0
 MIXED GLASS FIBER.
 STANDARD COLOR-BLACK
 CONTACTS: 0.45mm DIA. ROUND CONTACTS
 PHOS-BRONZE PLATED WITH HARD GOLD.
 MATEL SHIELD: 0.25mm THICK COPPER ALLOY,
 PLATED WITH NICKEL.
 CAVITY CONFIRMS TO FCC RULES AND REGULATIONS
 PART 68,SUBPART F.

ORDER INFORMATION:
 MJK648-Pa881GX SX-2E
 MJK: MODULAR JACK
 648: SERIES NO.
 Pa: PCB TYPE, RIGHT ANGLE TYPE
 88: NO. OF CONTACT, 8P8C
 1: COLOR OF PLASTIC, BLACK
 GX: CONTACT PLATING OPTION
 -Gf: GOLD FLASH
 -Gft: GOLD FLASH ON CONTACT, TIN PLATING ON SOLDER TAIL
 -G15t: 15u" GOLD ON CONTACT, TIN PLATING ON SOLDER TAIL
 -G30t: 30u" GOLD ON CONTACT, TIN PLATING ON SOLDER TAIL
 -G50t: 50u" GOLD ON CONTACT, TIN PLATING ON SOLDER TAIL
 SX: SHIELDED OPTION
 S: SHIELDED WITHOUT, PANEL GROUNDING TAB
 Sb: SHIELDED WITH PANEL GROUNDING TAB
 2: 2 OF PORTS
 E: DIM E=3.05mm, METAL PEG IN THE FRONT



DETAIL X



TOLERANCES UNLESS OTHERWISE SPECIFIED			SIGNATURES	DATE	MODEL
±0.3			DRAWN Frederick	29/JUL/04'	TITLE MODULAR JACK
SYMBOL			CHECKED Sam	29/JUL/04'	NO. MJK648-Pa881GX SX-2E
△	UNIT mm	SCALE 1/1	APPROVALS		

Machrone