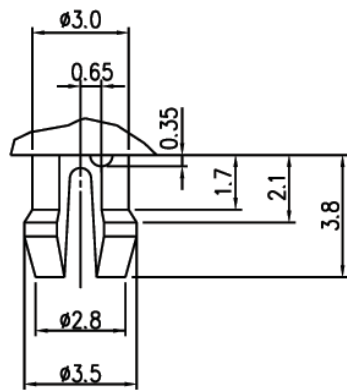
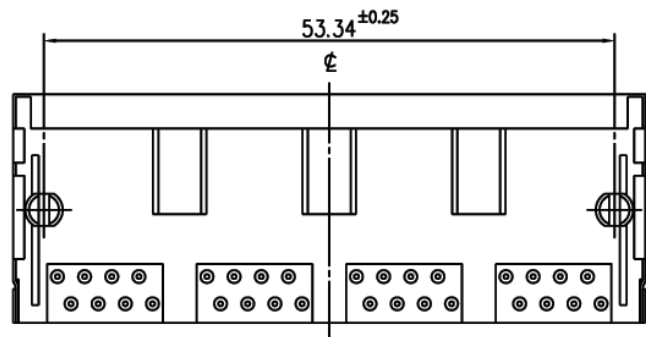
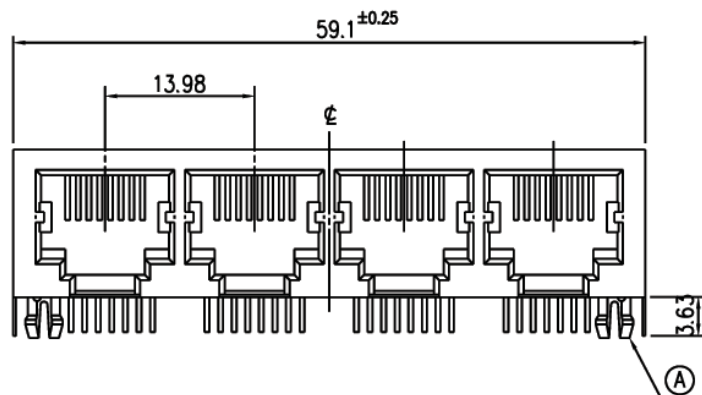


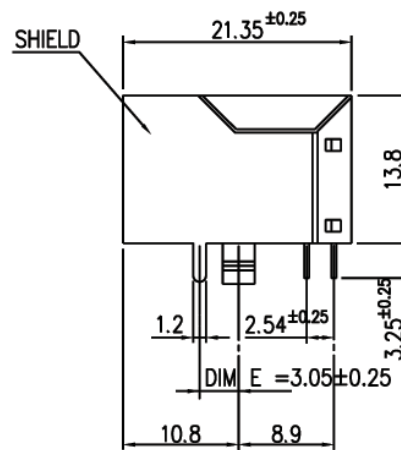
V1.1 NOTE: THIS DEVICE IS ROHS COMPLIANT.

REVISIONS							
SYM	DISCRIPTION	DATE	APPROVED	SYM	DISCRIPTION	DATE	APPROVED
△				△			
△				△			

****CUSTOMER DRAWING FOR REFERENCE ONLY, SAMPLES APPROVAL ARE REQUIRED!!**



(A) DETAIL(6/1)

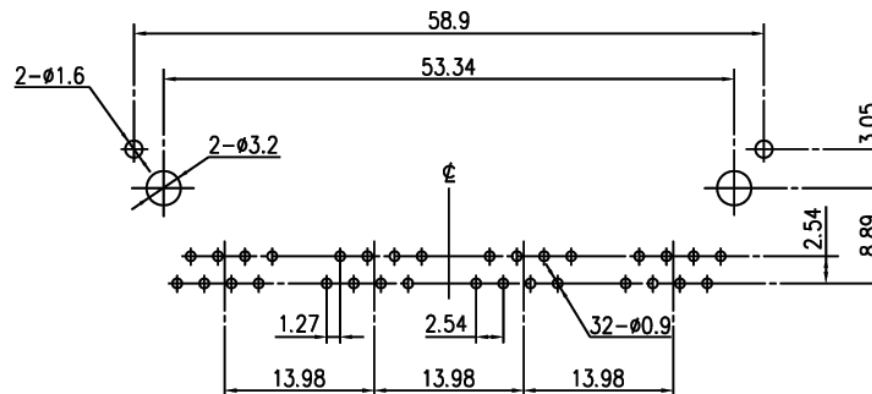


MATERIAL:

HOUSING: PBT POLYESTER UL-94V-0. MIXED GLASS FIBER.
 STANDARD COLOR: BLACK
 CONTACTS: t=0.35mm PHOSPHOR BRONZE PLATED WITH HARD GOLD AND TIN LEAD IN SOLDER AREA.
 SHIELD: t=0.25mm COPPER ALLOY PLATED WITH TIN LEAD CAVITY CONFIRMS TO FCC RULES AND REGULATIONS PART 68, SUBPART F.

ORDER INFORMATION:

MJK648-Pa881GXS-4E
 MJK: MODULAR JACK
 648: SERIES NO.
 Pa: PCB TYPE, RIGHT ANGLE TYPE
 88: NO. OF CONTACT, 8P8C
 1: COLOR OF PLASTIC, BLACK
 GX: CONTACT PLATING OPTION
 -Gf: GOLD FLASH
 -Gft: GOLD FLASH ON CONTACT, TIN PLATING ON SOLDER TAIL
 -G15t: 15u" GOLD ON CONTACT, TIN PLATING ON SOLDER TAIL
 -G30t: 30u" GOLD ON CONTACT, TIN PLATING ON SOLDER TAIL
 -G50t: 50u" GOLD ON CONTACT, TIN PLATING ON SOLDER TAIL
 S: SHIELDED WITHOUT PANEL GROUNDING TAB
 4: 4 OF PORTS
 E: DIM E=3.05 mm, METEL PEG IN THE FRONT



PC BOARD LAYOUT

TOLERANCES UNLESS OTHERWISE SPECIFIED ±0.25			SIGNATURES		DATE	MODEL
SYMBOL △	UNIT mm	SCALE 2/1	DRAWN	CONNIE	24/OCT/05'	TITLE MODULAR JACK
			CHECKED	WENDY	24/OCT/05'	NO.
			APPROVALS			

Machrone