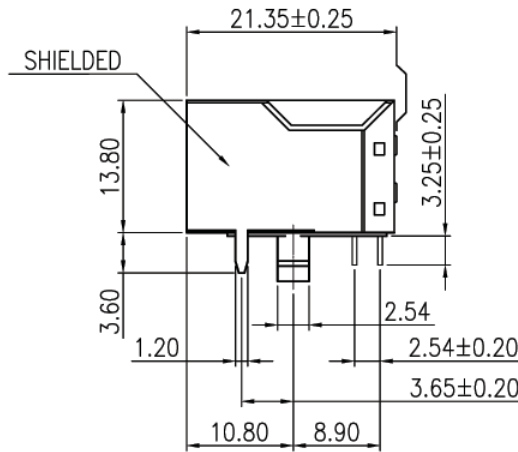
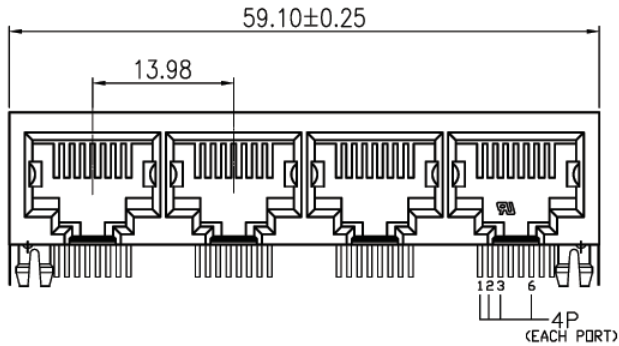


V1.1 NOTE: THIS DEVICE IS ROHS COMPLIANT.

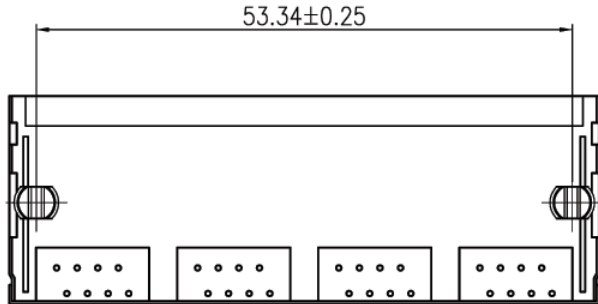
REVISIONS							
SYM	DESCRIPTION	DATE	APPROVED	SYM	DESCRIPTION	DATE	APPROVED
△				△			
△				△			

****CUSTOMER DRAWING FOR REFERENCE ONLY, SAMPLES APPROVAL ARE REQUIRED!!**

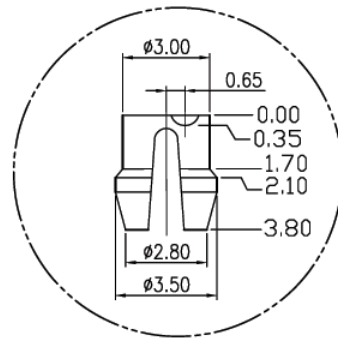
121



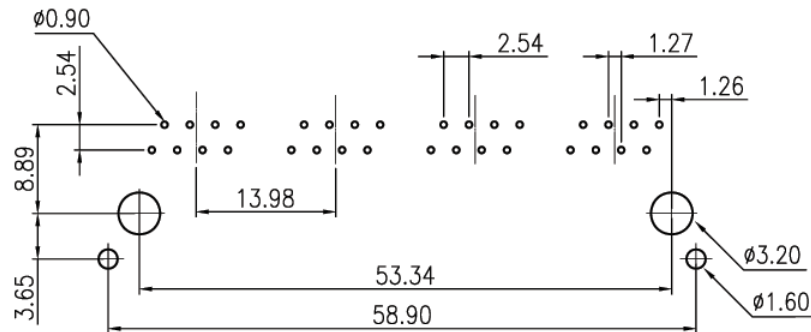
MATERIALS:
 HOUSING: PBT POLYESTER UL94V-0 MIXED GLASS FIBER.
 STANDARD COLOR : BLACK.
 CONTACTS: Ø0.45mm DIM. PHOS-BRONZE PLATED WITH HARD GOLD.
 METAL SHIELD: 0.25mm THICK COPPER ALLOY. PLATED WITH NICKEL.
 CAVITY CONFIRMS TO FCC RULES AND REGULATIONS PART 68, SUB PART F.



ORDER INFORMATION:
 MJK648-Pa881GXS-4B
 MJK: MODULAR JACK
 648: SERIES NO.
 Pa: TERMINAL TYPE, PCB TYPE, RIGHT ANGLE
 88: NO. OF CONTACT, 8P8C
 1: COLOR OF PLASTIC, BLACK
 GX: CONTACT PLATING
 Gft: GOLD FLASH ON CONTACT, TIN PLATING ON SOLDER TAIL
 G15t: 15u" GOLD ON CONTACT, TIN PLATING ON SOLDER TAIL
 G30t: 30u" GOLD ON CONTACT, TIN PLATING ON SOLDER TAIL
 G50t: 50u" GOLD ON CONTACT, TIN PLATING ON SOLDER TAIL
 S: SHIELDED WITHOUT PANEL GROUNDING TAB
 4: 4 PORTS
 B: 3.65mm, METAL PEG IN THE FRONT



SPLIT-PEGS



P.C. BOARD LAYOUT

TOLERANCES UNLESS OTHERWISE SPECIFIED ±0.25			SIGNATURES	DATE	MODEL
SYMBOL	UNIT	SCALE	DRAWN AARON	22/JUN/06'	TITLE MODULAR JACK
△	mm	1/1	CHECKED WENDY	22/JUN/06'	NO. MJK648-Pa881G_S-4B
			APPROVALS		

Machrone