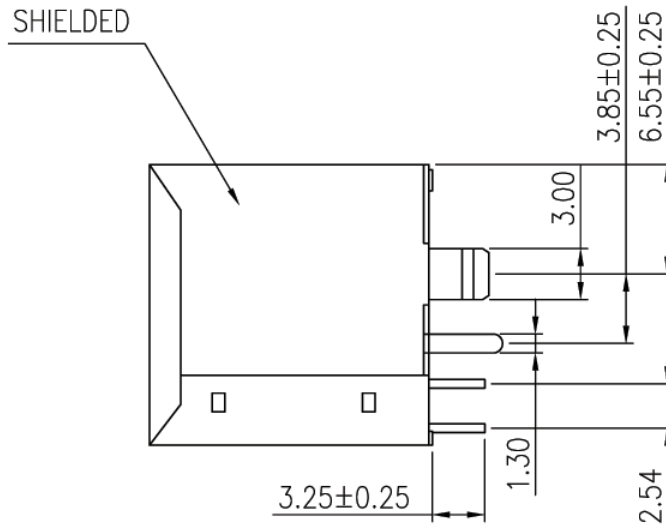
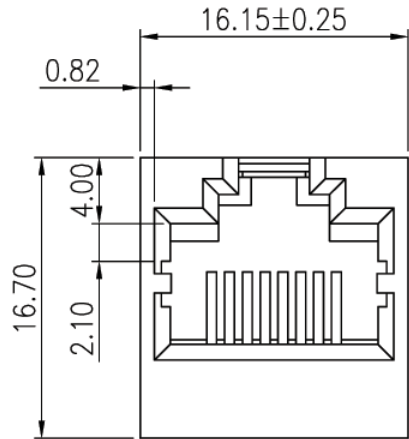


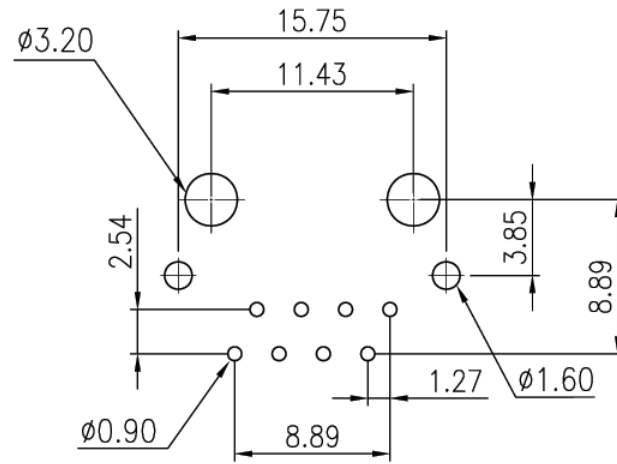
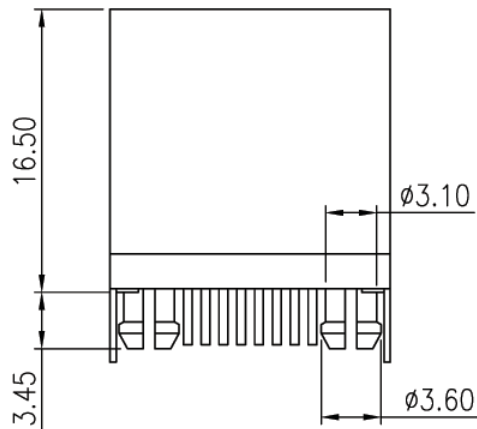
V1.1 NOTE: THIS DEVICE IS ROHS COMPLIANT.

REVISIONS							
SYM	DESCRIPTION	DATE	APPROVED	SYM	DESCRIPTION	DATE	APPROVED
△				△			
△				△			
**CUSTOMER DRAWING FOR REFERENCE ONLY, SAMPLES APPROVAL ARE REQUIRED!!							121



MATERIAL:
 HOUSING: PBT POLYESTER UL94V-0
 MIXED GLASS FIBER.
 STANDARD COLOR-BLACK
 CONTACTS: 0.45mm DIM.PHOS-BRONZE
 PLATED WITH HARD GOLD.
 SHIELD: 0.25mm THICK COPPER ALLOY,
 PLATED WITH TIN/LEAD.
 CAVITY CONFIRMS TO FCC RULES AND REGULATIONS
 PART 68,SUBPART F.

ORDER INFORMATION:
 MJK647-P881GXS-J
 MJK: MODULAR JACK
 647: SERIES NO.
 P: PCB TYPE, STRAIGHT TYPE
 88: NO. OF CONTACT, 8P8C
 1: COLOR OF PLASTIC, BLACK
 GX: CONTACT PLATING OPTION
 -Gf: GOLD FLASH
 -Gft: GOLD FLASH ON CONTACT, TIN PLATING ON SOLDER TAIL
 -G15t: 15u" GOLD ON CONTACT, TIN PLATING ON SOLDER TAIL
 -G30t: 30u" GOLD ON CONTACT, TIN PLATING ON SOLDER TAIL
 -G50t: 50u" GOLD ON CONTACT, TIN PLATING ON SOLDER TAIL
 S: SHIELDED WITHOUT, PANEL GROUNDING TAB
 J: DIM J= 3.85 mm, PLASTIC PEG IN THE FRONT



PC BOARD LAYOUT

TOLERANCES UNLESS OTHERWISE SPECIFIED ±0.25			SIGNATURES	DATE	MODEL
SYMBOL	UNIT	SCALE	DRAWN AARON	01/JUN/06'	TITLE MODULAR JACK
△	mm	2.5/1	CHECKED WENDY	01/JUN/06'	NO. MJK647-P881G_-J
			APPROVALS		

Machrone