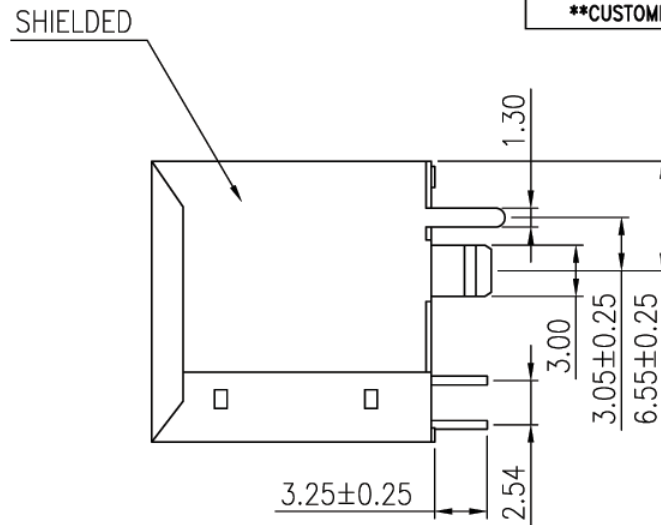
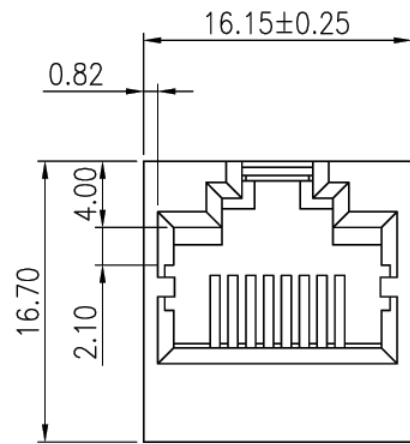


V1.1 NOTE: THIS DEVICE IS ROHS COMPLIANT.

REVISIONS							
SYM	DESCRIPTION	DATE	APPROVED	SYM	DESCRIPTION	DATE	APPROVED
Δ				Δ			
Δ				Δ			

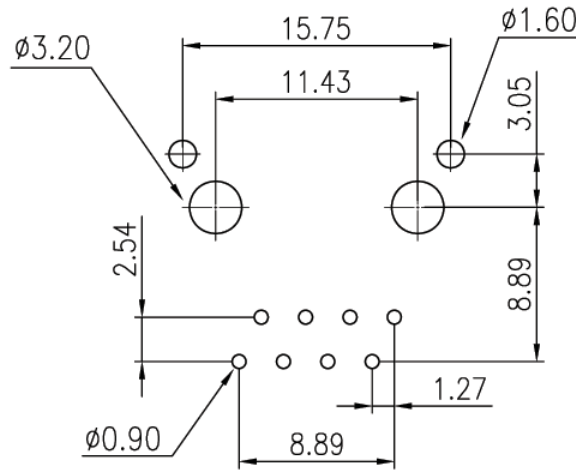
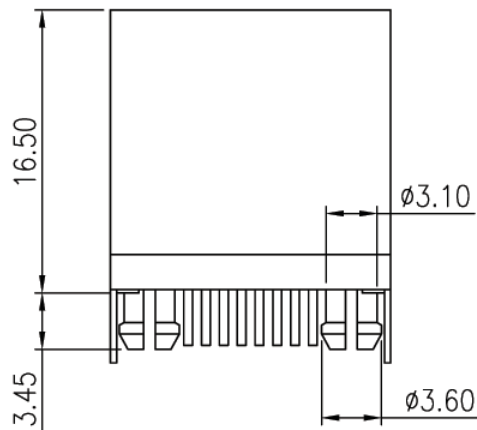
**\*\*CUSTOMER DRAWING FOR REFERENCE ONLY, SAMPLES APPROVAL ARE REQUIRED!!**

121



**MATERIAL:**  
 HOUSING: PBT POLYESTER UL94V-0  
 MIXED GLASS FIBER.  
 STANDARD COLOR-BLACK  
 CONTACTS: 0.45mm DIM.PHOS-BRONZE  
 PLATED WITH HARD GOLD.  
 SHIELD: 0.25mm THICK COPPER ALLOY,  
 PLATED WITH TIN/LEAD.  
 CAVITY CONFIRMS TO FCC RULES AND REGULATIONS  
 PART 68,SUBPART F.

**ORDER INFORMATION:**  
 MJK647-P881GXS-E  
 MJK: MODULAR JACK  
 647: SERIES NO.  
 P: PCB TYPE, STRAIGHT TYPE  
 88: NO. OF CONTACT, 8P8C  
 1: COLOR OF PLASTIC, BLACK  
 GX: CONTACT PLATING OPTION  
 -Gf: GOLD FLASH  
 -Gft: GOLD FLASH ON CONTACT, TIN PLATING ON SOLDER TAIL  
 -G15t: 15u" GOLD ON CONTACT, TIN PLATING ON SOLDER TAIL  
 -G30t: 30u" GOLD ON CONTACT, TIN PLATING ON SOLDER TAIL  
 -G50t: 50u" GOLD ON CONTACT, TIN PLATING ON SOLDER TAIL  
 S: SHIELDED WITHOUT, PANEL GROUNDING TAB  
 E: DIM E= 3.05 mm,METAL PEG IN THE FRONT



PC BOARD LAYOUT

TOLERANCES UNLESS OTHERWISE SPECIFIED ±0.25			SIGNATURES	DATE	MODEL
SYMBOL	UNIT	SCALE	DRAWN AARON	01/JUN/06'	TITLE
Δ	mm	2.5/1	CHECKED WENDY	01/JUN/06'	NO. MODULAR JACK
APPROVALS					MJK647-P881G_-E

**Machrone**