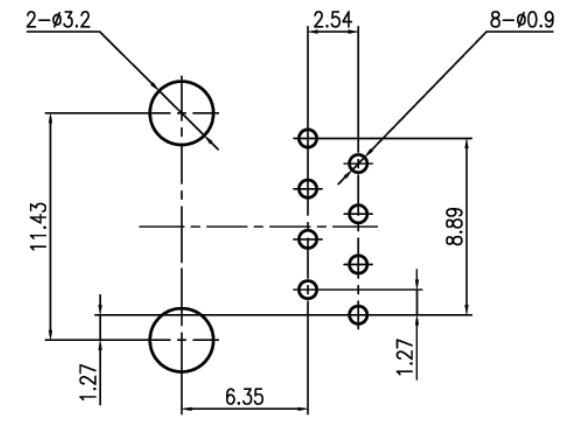
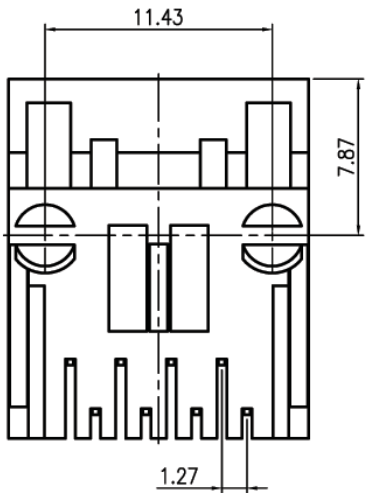
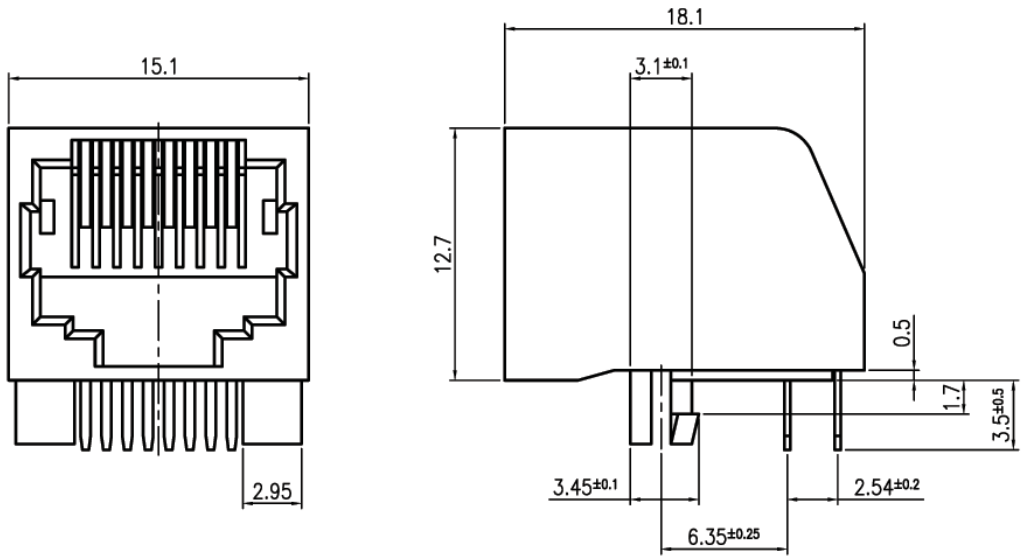


REVISIONS							
SYM	DISCRIPTION	DATE	APPROVED	SYM	DISCRIPTION	DATE	APPROVED
△				△			
△				△			

**\*\*CUSTOMER DRAWING FOR REFERENCE ONLY, SAMPLES APPROVAL ARE REQUIRED!!**

**MATERIALS:**  
 HOUSING: PBT POLYESTER UL94V-0 MIXED GLASS FIBER. STANDARD COLOR:BLACK.  
 CONTACTS: 0.35mm THICK PHOS-BRONZE PLATED WITH HARD GOLD AND TIN/LEAD IN SOLDER AREA.  
 CAVITY CONFIRMS TO FCC RULES AND REGULATIONS PART 68, SUB PART F.

**ORDER INFORMATION**  
 MJK631-Pa881Gft  
 MJK: MODULAR JACK  
 188: SERIES NO.  
 Pa: TERMINAL TYPE, PCB TYPE, RIGHT ANGLE  
 88: NO. OF CONTACT, 8P8C  
 1: COLOR OF PLASTIC, BLACK  
 Gft: GOLD FLUSH ON CONTACT, TIN PLATING ON SOLDER TAIL



P.C. BOARD LAYOUT

TOLERANCES UNLESS OTHERWISE SPECIFIED ±0.25			SIGNATURES		DATE	MODEL	
SYMBOL	UNIT	SCALE	DRAWN SAM		27/APR/04	TITLE MODULAR JACK	
△	mm	4/1	CHECKED			NO. MJK631-Pa881Gft	
			APPROVALS				

**Machrone**