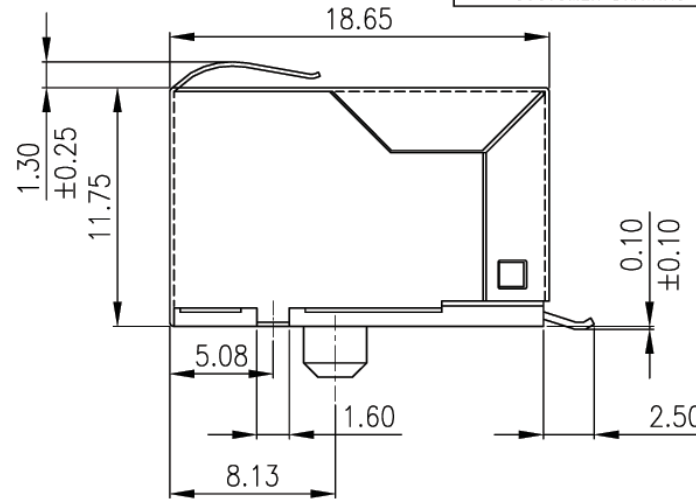
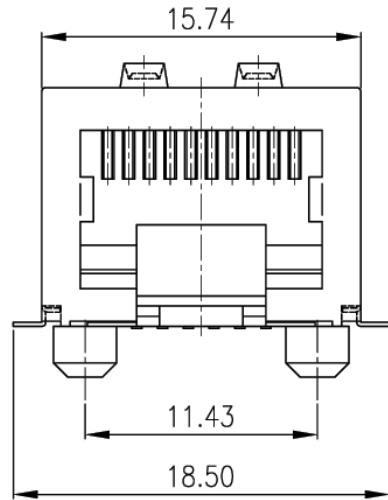


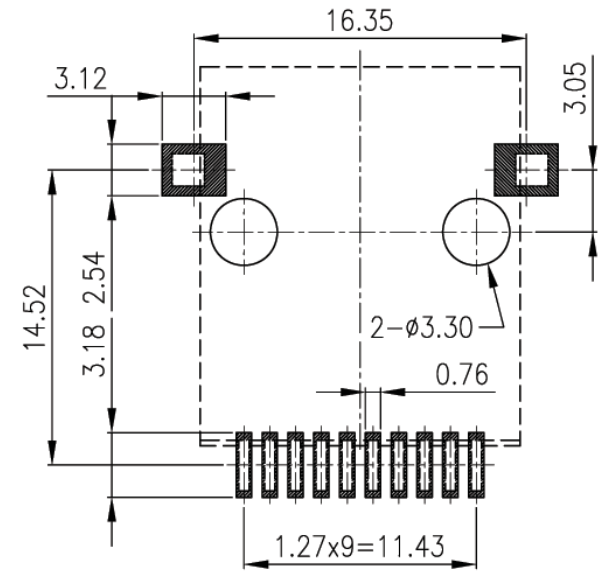
V1.1 NOTE: THIS DEVICE IS ROHS COMPLIANT.

REVISIONS							
SYM	DESCRIPTION	DATE	APPROVED	SYM	DESCRIPTION	DATE	APPROVED
△				△			
△				△			
**CUSTOMER DRAWING FOR REFERENCE ONLY, SAMPLES APPROVAL ARE REQUIRED!!							084

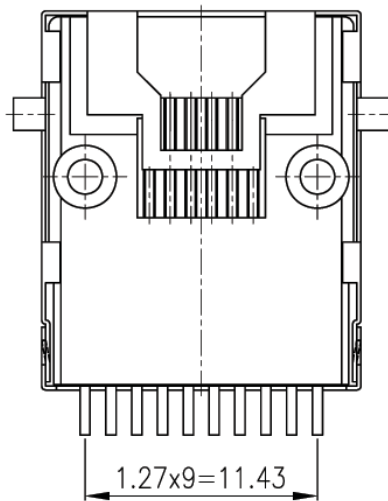


MATERIAL:
 PLASTIC HOUSING: HIGH TEMP. THERMOPLASTIC
 FLAMMABILITY RATING UL-94V-0.
 CONTACTS: PHOSPHOR BRONZE
 PLATING: GOLD PLATING OVER NICKEL IN CONTACT
 TIN PLATING OVER NICKEL IN SOLDER AREA.
 SHIELD: BRASS PLATING NICKEL ALLOY.

ORDER INFORMATION:
 MJK627-RtOX1GXSX
 MJK: MODULAR JACK
 627: SERIES NO.
 Rt: PCB TYPE, RIGHT ANGLE
 SURFACE MOUNT TYPE
 OX: NO. OF CONTACT
 -02: CONTACT, 10P2C
 -04: CONTACT, 10P4C
 -06: CONTACT, 10P6C
 -08: CONTACT, 10P8C
 -00: CONTACT, 10P10C
 1: COLOR OF PLASTIC, BLACK
 GX: CONTACT PLATING OPTION
 -Gf: GOLD FLASH
 -Gft: GOLD FLASH ON CONTACT, TIN PLATING ON SOLDER TAIL
 -G15t: 15u" GOLD ON CONTACT, TIN PLATING ON SOLDER TAIL
 -G30t: 30u" GOLD ON CONTACT, TIN PLATING ON SOLDER TAIL
 -G50t: 50u" GOLD ON CONTACT, TIN PLATING ON SOLDER TAIL
 SX: SHIELDED OPTION
 S: SHIELDED WITHOUT
 PANEL GROUNDING TAB
 Sbt: SHIELDED WITH TOP
 PANEL GROUNDING TAB



PCB LAYOUT/TOP VIEW



TOLERANCES UNLESS OTHERWISE SPECIFIED ±0.25			SIGNATURES		DATE	MODEL	
SYMBOL	UNIT	SCALE	DRAWN	CONNIE	16/AUG/05'	TITLE	
			CHECKED	FRED	16/AUG/05'	MODULAR JACK	
			APPROVALS			NO. MJK627-RtO_1G_S_	
△	mm	3/1					

Machrone