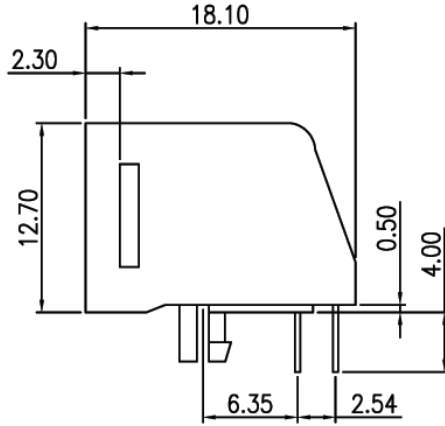
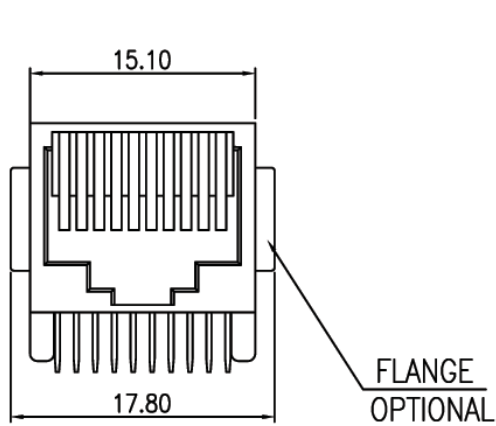
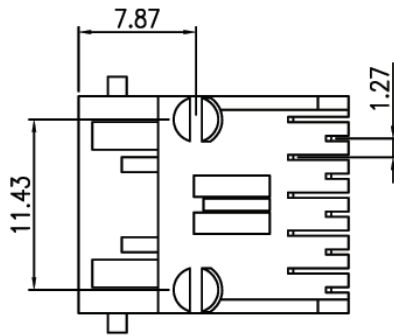
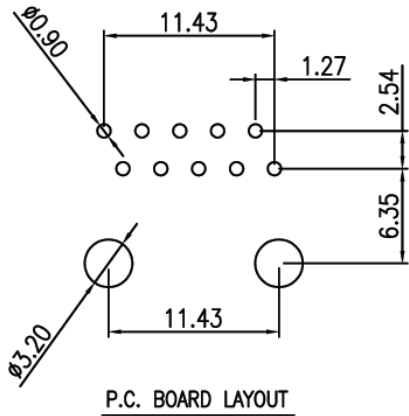


REVISIONS							
SYM	DISCRIPTION	DATE	APPROVED	SYM	DISCRIPTION	DATE	APPROVED
△				△			
△				△			



MATERIAL:
 HOUSING: PBT POLYESTER UL-94V-0. MIXED GLASS FIBER.
 STANDARD COLOR: BLACK
 TERMINAL: 0.35MM THICK PHOS-BRONZE
 PLATED WITH HARD GOLD AND TIN/LEAD IN SOLDER AREA

ORDER INFORMATION:
 MJK619-Pa001GXXXF
 MJK: MODULAR JACK
 619: SERIES NO.
 Pa: PCB TYPE, RIGHT ANGLE
 00: NO. OF CONTACT, 10P10C
 1: COLOR OF PLASTIC, BLACK
 Gf: GOLD FLUSH
 Gft: GOLD FLUSH ON CONTACT, TIN PLATING ON SOLDER TAIL
 G15t: 15u" GOLD ON CONTACT, TIN PLATING ON SOLDER TAIL
 G30t: 30u" GOLD ON CONTACT, TIN PLATING ON SOLDER TAIL
 G50t: 50u" GOLD ON CONTACT, TIN PLATING ON SOLDER TAIL
 GXXX: CONTACT PLATING OPTION
 F: FLANGED(OPTION)
 K: KEY(OPTION)



TOLERANCES UNLESS OTHERWISE SPECIFIED ± 0.25	SIGNATURES		DATE	MODEL
	DRAWN	JENNY	25/MAR/03'	TITLE MODULAR JACK
	CHECKED			NO. MJK619-Pa001G___F
SYMBOL △	UNIT mm	SCALE 3/1	APPROVALS	

Machrone