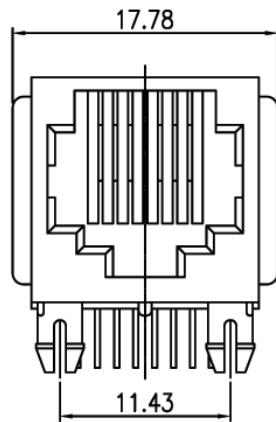
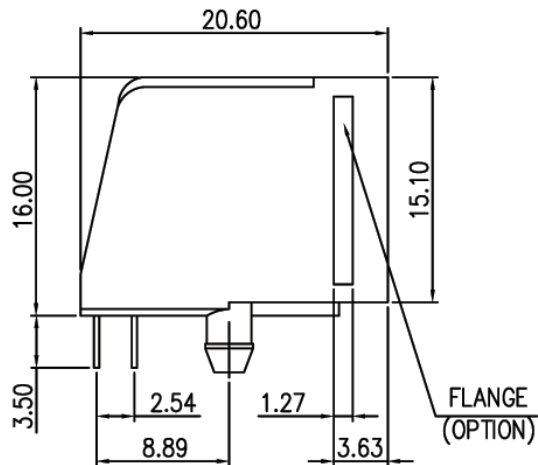


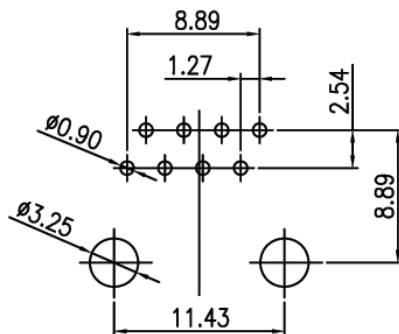
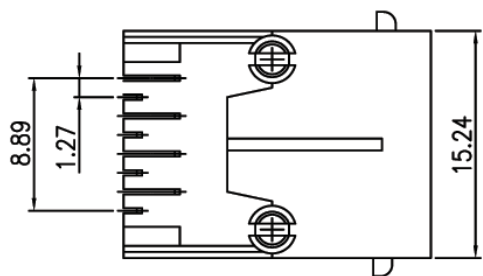
V1.1 NOTE: THIS DEVICE IS ROHS COMPLIANT.

REVISIONS							
SYM	DISCRIPTION	DATE	APPROVED	SYM	DISCRIPTION	DATE	APPROVED
△	NOTE ROHS STANDARD	23/AUG/05'	CONNIE	△			
△				△			



MATERIAL:
 HOUSING: STANDARD MATERIAL GLASS FILLED POLYESTER UL-94V-0 STANDARD COLOUR(BLACK)
 CONTACT: 0.35mm THICKNESS PHOS-BRONZ.
 GOLD PLATING OVER NICKEL IN CONTACT AREA.
 TIN PLATING OVER NICKEL IN CONTACT AREA.
 GOLD PLATING: SELECTIVE GOLD PLATING

ORDER INFORMATION:
 MJK613-Pa881GxTf
 MJK: MODULAR JACK
 613: SERIES NO.
 Pa: TERMINAL TYPE, PCB TYPE STRAIGHT
 88: NO. OF CONTACT, 8P8C
 1: COLOR OF PLASTIC, BLACK
 GXt: CONTACT PLATING OPTION
 -Gft: GOLD FLUSH ON CONTACT, TIN PLATING ON SOLDER TAIL
 -G15t: 15u" GOLD ON CONTACT, TIN PLATING ON SOLDER TAIL
 -G30t: 30u" GOLD ON CONTACT, TIN PLATING ON SOLDER TAIL
 -G50t: 50u" GOLD ON CONTACT, TIN PLATING ON SOLDER TAIL
 F: FLANGED (OPTION)



PCB LAYOUT/TOP VIEW

TOLERANCES UNLESS OTHERWISE SPECIFIED ±0.30	SIGNATURES		DATE	MODEL
	DRAWN	VIVI	12/MAY/03'	TITLE MODULAR JACK
	CHECKED	ZOLA	12/MAY/03'	NO. MJK613-Pa881G_tf
SYMBOL △	UNIT mm	SCALE 3/1	APPROVALS	

Machrone