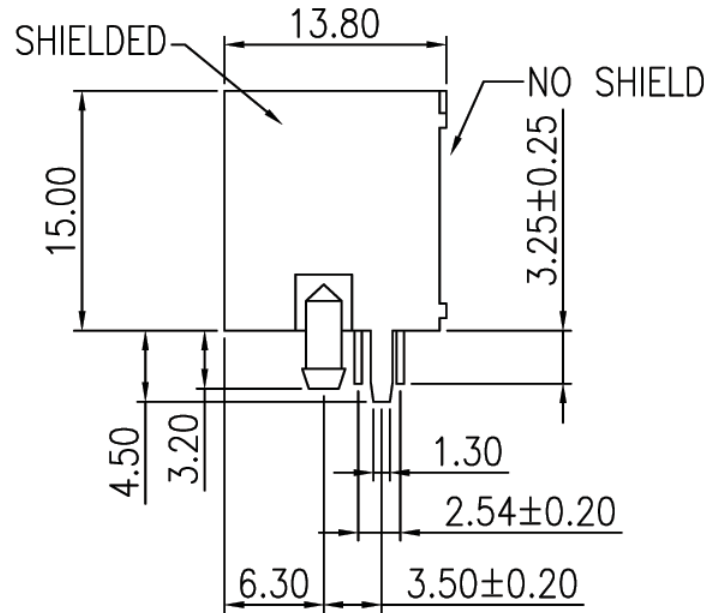
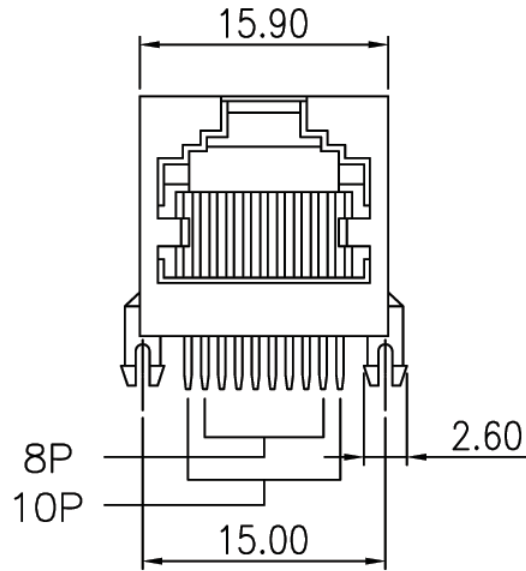


V1.1 NOTE: THIS DEVICE IS ROHS COMPLIANT.

REVISIONS							
SYM	DESCRIPTION	DATE	APPROVED	SYM	DESCRIPTION	DATE	APPROVED
△				△			
△				△			

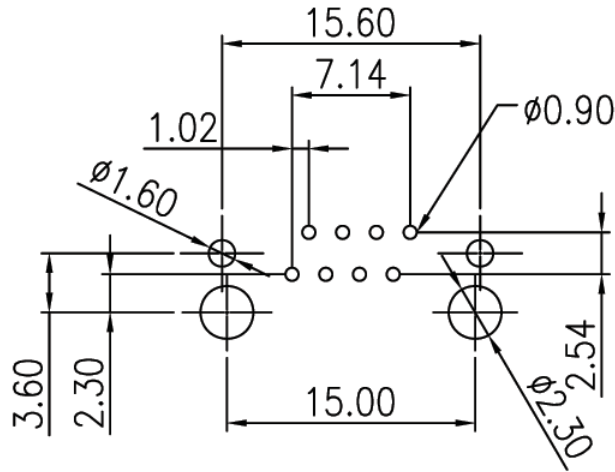
**\*\*CUSTOMER DRAWING FOR REFERENCE ONLY, SAMPLES APPROVAL ARE REQUIRED!!**

121

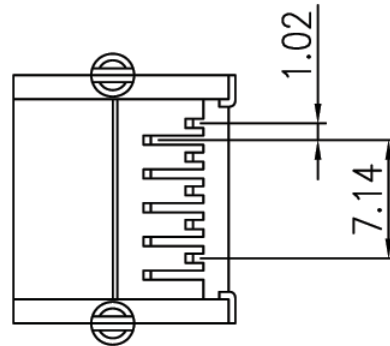


**MATERIAL:**  
 HOUSING: PBT POLYESTER UL-94V-0.  
 MIXED GLASS FIBER.  
 STANDARD COLOR: BLACK  
 CONTACTS: 0.45mm DIAMETER PHOS-BRONZE  
 SHIELD: 0.25mm THICK COPPER ALLOY, PLATED WITH NICKEL  
 CAVITY CONFIRMS TO FCC RULES AND REGULATIONS  
 PART68,SUBPART F.

**ORDER INFORMATION:**  
 MJK612-Pa881GXS  
 MJK: MODULAR JACK  
 612: SERIES NO.  
 Pa: PCB TYPE, RIGHT ANGLE  
 88: NO. OF CONTACT, 8P8C  
 1: COLOR OF PLASTIC, BLACK  
 GX: CONTACT PLATING OPTION  
 Gf: GOLD FLUSH  
 Gft: GOLD FLUSH ON CONTACT, TIN PLATING ON SOLDER TAIL  
 G15t: 15u" GOLD ON CONTACT, TIN PLATING ON SOLDER TAIL  
 G30t: 30u" GOLD ON CONTACT, TIN PLATING ON SOLDER TAIL  
 G50t: 50u" GOLD ON CONTACT, TIN PLATING ON SOLDER TAIL  
 S: SHIELDED WITHOUT PANEL GROUNDING TAB



P.C. BOARD LAYOUT



TOLERANCES UNLESS OTHERWISE SPECIFIED ±0.13			SIGNATURES	DATE	MODEL
SYMBOL	UNIT	SCALE	DRAWN AARON	15/MAR/06'	TITLE
△	mm	1/1	CHECKED WENDY	15/MAR/06'	MODULAR JACK
APPROVALS					NO. MJK612-Pa881G_S

**Machrone**