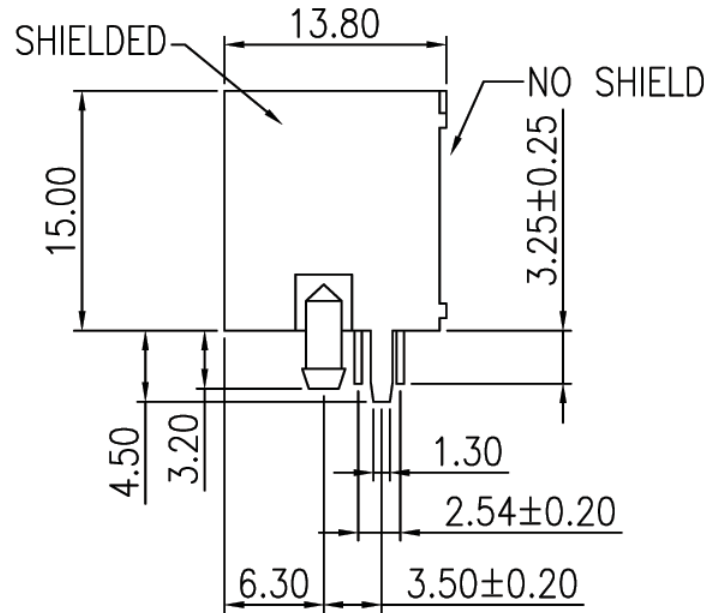
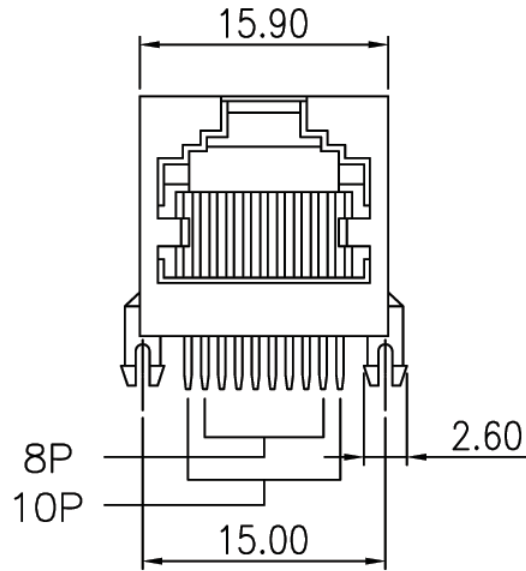


V1.1 NOTE: THIS DEVICE IS ROHS COMPLIANT.

REVISIONS							
SYM	DESCRIPTION	DATE	APPROVED	SYM	DESCRIPTION	DATE	APPROVED
△				△			
△				△			

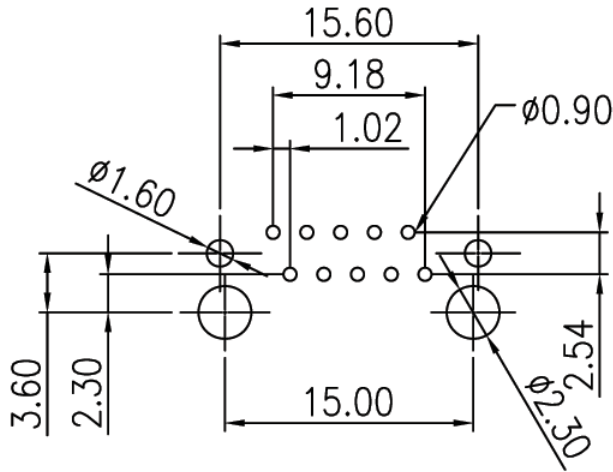
****CUSTOMER DRAWING FOR REFERENCE ONLY, SAMPLES APPROVAL ARE REQUIRED!!**

121

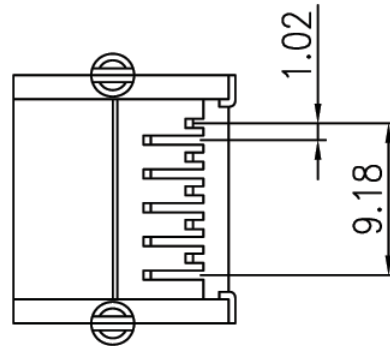


MATERIAL:
 HOUSING: PBT POLYESTER UL-94V-0.
 MIXED GLASS FIBER.
 STANDARD COLOR: BLACK
 CONTACTS: 0.45mm DIAMETER PHOS-BRONZE
 SHIELD: 0.25mm THICK COPPER ALLOY, PLATED WITH NICKEL
 CAVITY CONFIRMS TO FCC RULES AND REGULATIONS
 PART68,SUBPART F.

ORDER INFORMATION:
 MJK612-Pa081GXS
 MJK: MODULAR JACK
 612: SERIES NO.
 Pa: PCB TYPE, RIGHT ANGLE
 08: NO. OF CONTACT, 10P8C
 1: COLOR OF PLASTIC, BLACK
 GX: CONTACT PLATING OPTION
 Gf: GOLD FLUSH
 Gft: GOLD FLUSH ON CONTACT, TIN PLATING ON SOLDER TAIL
 G15t: 15u" GOLD ON CONTACT, TIN PLATING ON SOLDER TAIL
 G30t: 30u" GOLD ON CONTACT, TIN PLATING ON SOLDER TAIL
 G50t: 50u" GOLD ON CONTACT, TIN PLATING ON SOLDER TAIL
 S: SHIELDED WITHOUT PANEL GROUNDING TAB



P.C. BOARD LAYOUT



TOLERANCES UNLESS OTHERWISE SPECIFIED ±0.13			SIGNATURES	DATE	MODEL
SYMBOL	UNIT	SCALE	DRAWN AARON	02/MAR/06'	TITLE
△	mm	1/1	CHECKED WENDY	02/MAR/06'	MODULAR JACK
APPROVALS					NO. MJK612-Pa081G_S

Machrone