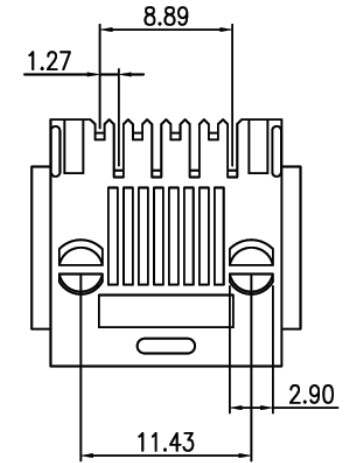
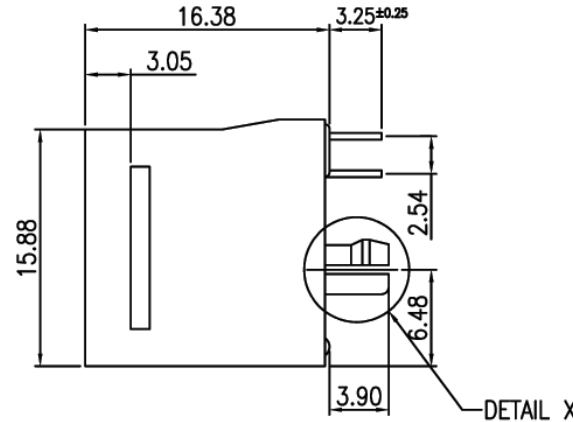
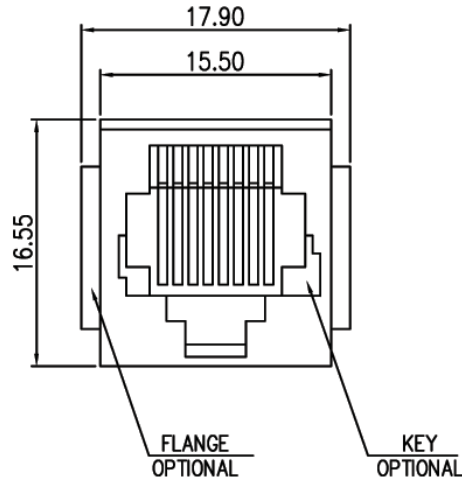


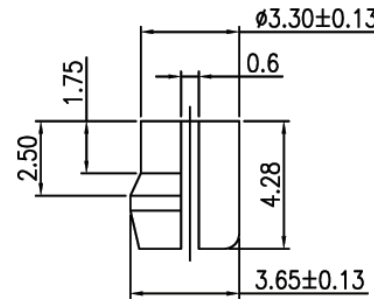
V1.1 NOTE: THIS DEVICE IS ROHS COMPLIANT.

REVISIONS								
SYM	DISCRIPTION		DATE	APPROVED	SYM	DISCRIPTION	DATE	APPROVED
△	NOTE ROHS	STANDARD	15/AUG/05'	CONNIE	△			
△					△			

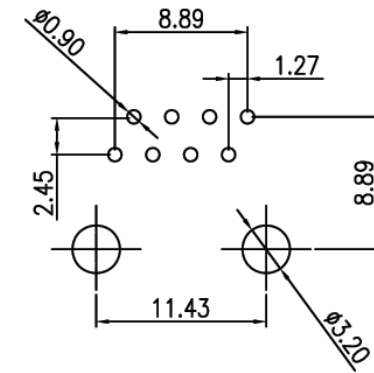


**MATERIAL:**  
 HOUSING: PBT POLYESTER UL-94V-0. MIXED GLASS FIBER.  
 STANDARD COLOR: BLACK  
 TERMINAL: 0.35MM THICK PHOS-BRONZE  
 PLATED WITH HARD GOLD AND TIN/LEAD IN SOLDER AREA

**ORDER INFORMATION:**  
 MJK607-P881GXF-K  
 MJK: MODULAR JACK  
 607: SERIES NO.  
 P: PCB TYPE STRAIGHT  
 88: NO. OF CONTACT, 8P8C  
 1: COLOR OF PLASTIC, BLACK  
 GX: TERMINAL PLATING OPTION  
 -Gf: GOLD FLUSH  
 -G15: 15u" GOLD  
 -G30: 30u" GOLD  
 -G50: 50u" GOLD  
 F: FLANGED(OPTION)  
 K: KEY(OPTION)



DETAIL X



P.C. BOARD LAYOUT

TOLERANCES UNLESS OTHERWISE SPECIFIED ±0.25			SIGNATURES		DATE	MODEL	
SYMBOL	UNIT	SCALE	DRAWN	VIVI	18/MAR/03'	TITLE	
			CHECKED	ZOLA	18/MAR/03'	MODULAR JACK	
			APPROVALS			NO. MJK607-P881G_F-K	

**Machrone**