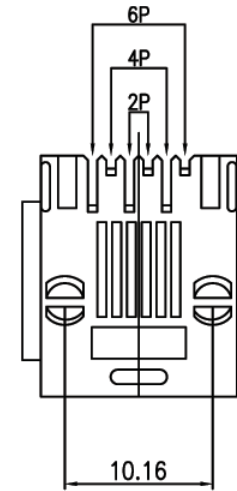
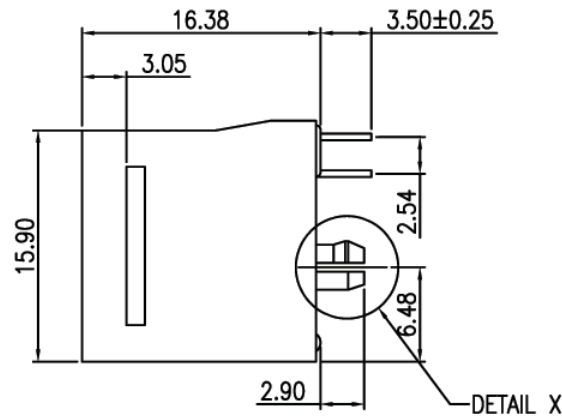
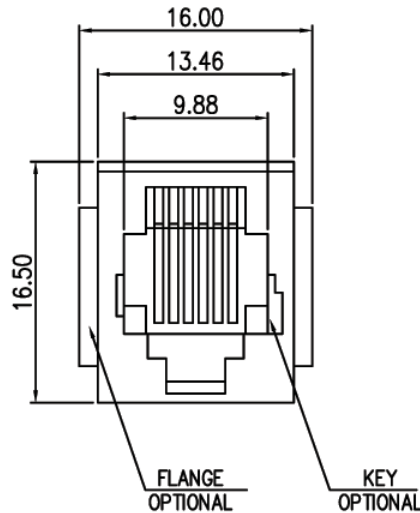


V1.1 NOTE: THIS DEVICE IS ROHS COMPLIANT.

REVISIONS							
SYM	DESCRIPTION	DATE	APPROVED	SYM	DESCRIPTION	DATE	APPROVED
△	NOTE ROHS STANDARD	15/AUG/05	CONNIE	△			
△				△			

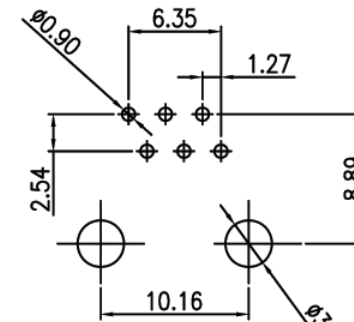
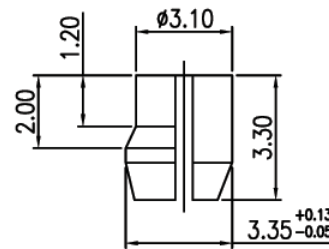
****CUSTOMER DRAWING FOR REFERENCE ONLY, SAMPLES APPROVAL ARE REQUIRED!!**

121



MATERIAL:
 HOUSING: PBT POLYESTER UL-94V-0. MIXED GLASS FIBER.
 STANDARD COLOR: BLACK
 TERMINAL: 0.35MM THICK PHOS-BRONZE
 SJC UL: E135545

ORDER INFORMATION:
 MJK607-P641Gf
 MJK: MODULAR JACK
 607: SERIES NO.
 P: PCB TYPE STRAIGHT
 6: NO. OF POSITIONS
 4: NO. OF CONTACT
 1: COLOR OF PLASTIC, BLACK
 Gf: GOLD FLUSH
 F: FLANGED(OPTION)
 K: KEY(OPTION)



DETAIL X

P.C. BOARD LAYOUT

TOLERANCES UNLESS OTHERWISE SPECIFIED ±0.25			SIGNATURES		DATE	MODEL
			DRAWN	ZOLA	18/MAR/03	TITLE
			CHECKED	ZOLA	18/MAR/03	MODULAR JACK
SYMBOL			APPROVALS			SJC NO.
△	UNIT	SCALE				9607-6414-B
	mm	3/1				MMT NO.
Machrone						MJK607-P641Gf