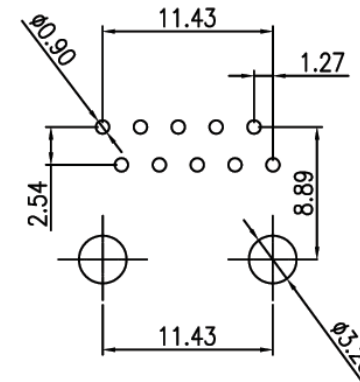
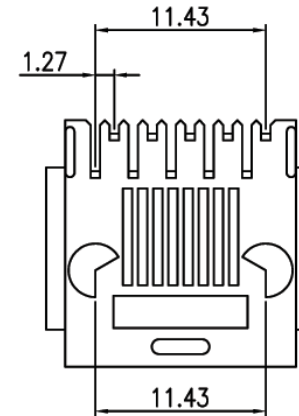
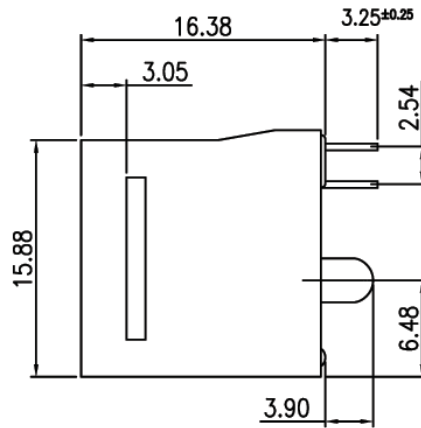
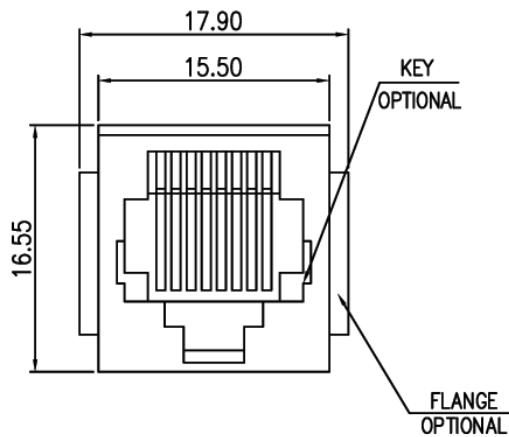


REVISIONS							
SYM	DISCRIPTION	DATE	APPROVED	SYM	DISCRIPTION	DATE	APPROVED
△				△			
△				△			



P.C. BOARD LAYOUT

MATERIAL:  
HOUSING: PBT POLYESTER UL-94V-0. MIXED GLASS FIBER.  
STANDARD COLOR: BLACK  
TERMINAL: 0.35MM THICK PHOS-BRONZE  
PLATED WITH HARD GOLD AND TIN/LEAD IN SOLDER AREA

ORDER INFORMATION:  
MJK605-P001GXXXF  
MJK: MODULAR JACK  
605: SERIES NO.  
P: PCB TYPE STRAIGHT  
00: NO. OF CONTACT, 10P10C  
1: COLOR OF PLASTIC, BLACK  
Gf: GOLD FLUSH  
G15t: 15u" GOLD ON CONTACT, TIN PLATING ON SOLDER TAIL  
G30t: 30u" GOLD ON CONTACT, TIN PLATING ON SOLDER TAIL  
G50t: 50u" GOLD ON CONTACT, TIN PLATING ON SOLDER TAIL  
GXXX: CONTACT PLATING OPTION  
F: FLANGED(OPTION)  
K: KEY(OPTION)

TOLERANCES UNLESS OTHERWISE SPECIFIED ±0.25	SIGNATURES		DATE	MODEL
	DRAWN	JACYE	13/MAR/03	TITLE MODULAR JACK
SYMBOL	UNIT	SCALE	CHECKED	NO.
△	mm	3/1	APPROVALS	MJK605-P001G___F

**Machrone**