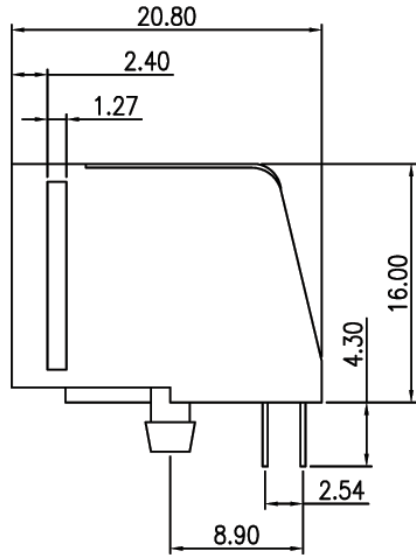
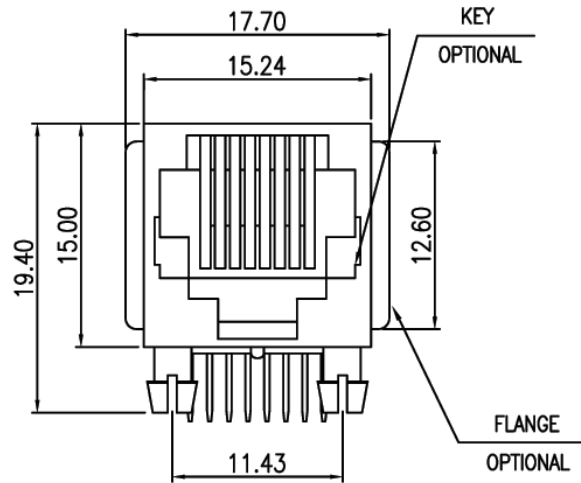
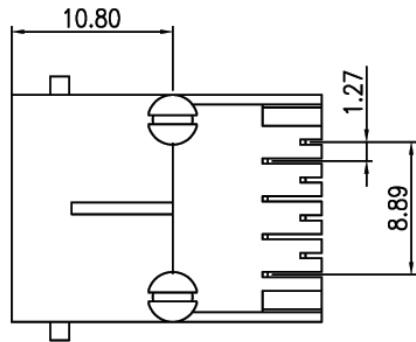
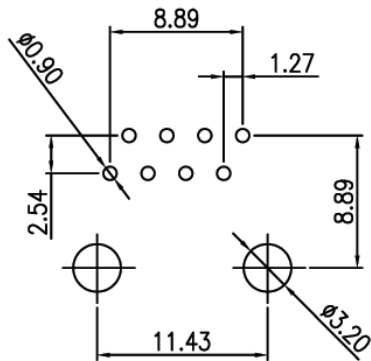


REVISIONS							
SYM	DISCRIPTION	DATE	APPROVED	SYM	DISCRIPTION	DATE	APPROVED
△				△			
△				△			



MATERIAL:  
 HOUSING: PBT POLYESTER UL-94V-0. MIXED GLASS FIBER.  
 STANDARD COLOR: BLACK  
 TERMINAL: 0.35MM THICK PHOS-BRONZE  
 PLATED WITH HARD GOLD AND TIN/LEAD IN SOLDER AREA

ORDER INFORMATION:  
 MJK602-Pa881GXXXF  
 MJK: MODULAR JACK  
 602: SERIES NO.  
 Pa: PCB TYPE, RIGHT ANGLE  
 88: NO. OF CONTACT, 8P8C  
 1: COLOR OF PLASTIC, BLACK  
 Gf: GOLD FLUSH  
 Gft: GOLD FLUSH ON CONTACT, TIN PLATING ON SOLDER TAIL  
 G15t: 15u" GOLD ON CONTACT, TIN PLATING ON SOLDER TAIL  
 G30t: 30u" GOLD ON CONTACT, TIN PLATING ON SOLDER TAIL  
 G50t: 50u" GOLD ON CONTACT, TIN PLATING ON SOLDER TAIL  
 GXXX: CONTACT PLATING OPTION  
 F: FLANGED(OPTION)  
 K: KEY(OPTION)



PC BOARD LAYOUT

TOLERANCES UNLESS OTHERWISE SPECIFIED ±0.25			SIGNATURES		DATE	MODEL
			DRAWN	JACYE	12/MAR/03	TITLE MODULAR JACK
SYMBOL △			UNIT mm		SCALE 3/1	NO. MJK602-Pa881G___F
			CHECKED		APPROVALS	

**Machrone**