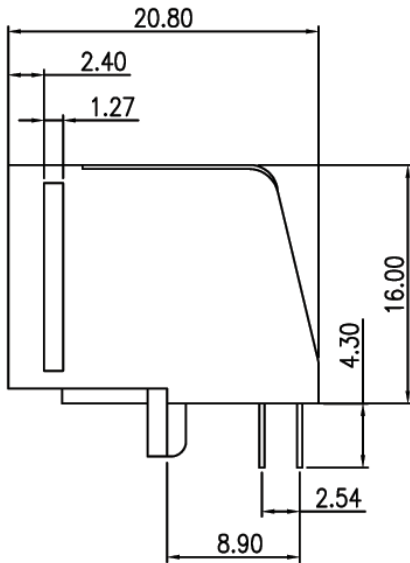
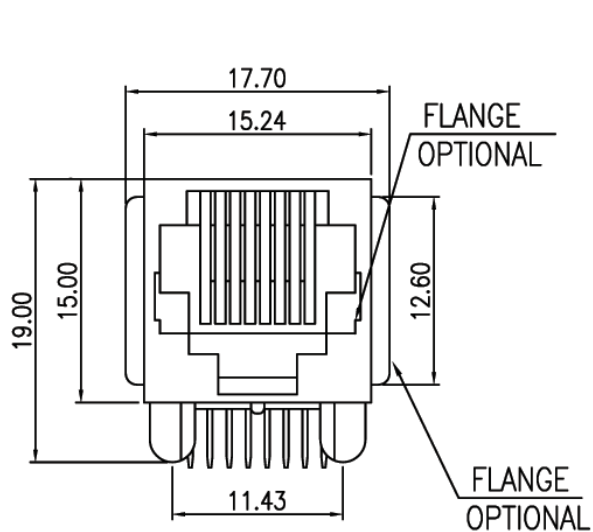
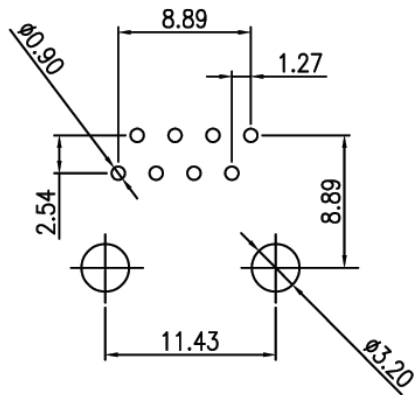


REVISIONS							
SYM	DISCRIPTION	DATE	APPROVED	SYM	DISCRIPTION	DATE	APPROVED
△				△			
△				△			

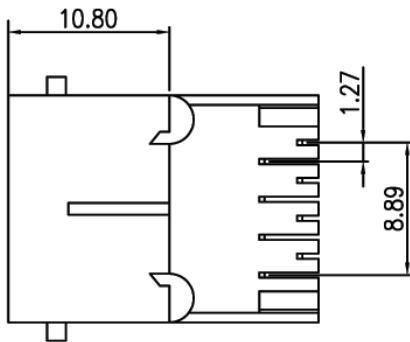


MATERIAL:
 HOUSING: PBT POLYESTER UL-94V-0. MIXED GLASS FIBER.
 STANDARD COLOR: BLACK
 TERMINAL: 0.35MM THICK PHOS-BRONZE
 PLATED WITH HARD GOLD AND TIN/LEAD IN SOLDER AREA

ORDER INFORMATION:
 MJK601-Pa881GXXXF
 MJK: MODULAR JACK
 601: SERIES NO.
 Pa: PCB TYPE, RIGHT ANGLE
 88: NO. OF CONTACT, 8P8C
 1: COLOR OF PLASTIC, BLACK
 Gf: GOLD FLUSH
 Gft: GOLD FLUSH ON CONTACT, TIN PLATING ON SOLDER TAIL
 G15t: 15u" GOLD ON CONTACT, TIN PLATING ON SOLDER TAIL
 G30t: 30u" GOLD ON CONTACT, TIN PLATING ON SOLDER TAIL
 G50t: 50u" GOLD ON CONTACT, TIN PLATING ON SOLDER TAIL
 GXXX: CONTACT PLATING OPTION
 F: FLANGED(OPTION)
 K: KEY(OPTION)



PC Board layout



TOLERANCES UNLESS OTHERWISE SPECIFIED ±0.25	SIGNATURES		DATE	MODEL
	DRAWN	JACYE	10/MAR/03'	TITLE MODULAR JACK
	CHECKED			NO. MJK601-Pa881G____F
SYMBOL	UNIT	SCALE	APPROVALS	
△	mm	3/1		

Machrone