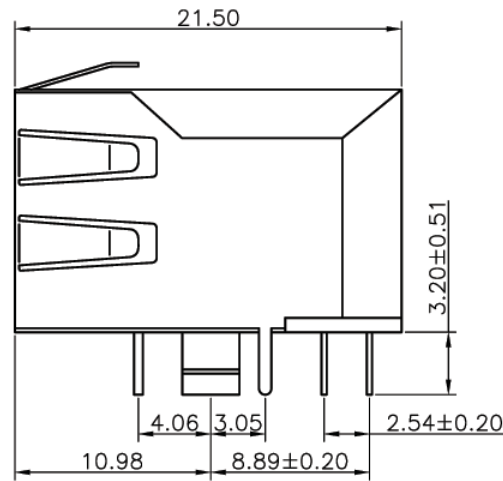
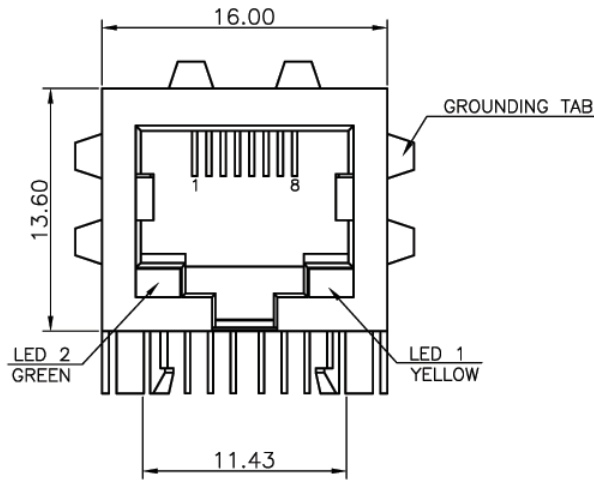


V1-1 NOTE: THIS DEVICE IS ROHS COMPLIANT.

REVISIONS							
SYM	DESCRIPTION	DATE	APPROVED	SYM	DESCRIPTION	DATE	APPROVED
△	NOTE ROHS STANDARD	05/MAY/06'	KEN	△			
△				△			
**CUSTOMER DRAWING FOR REFERENCE ONLY, SAMPLES APPROVAL ARE REQUIRED!!							100



MATERIALS

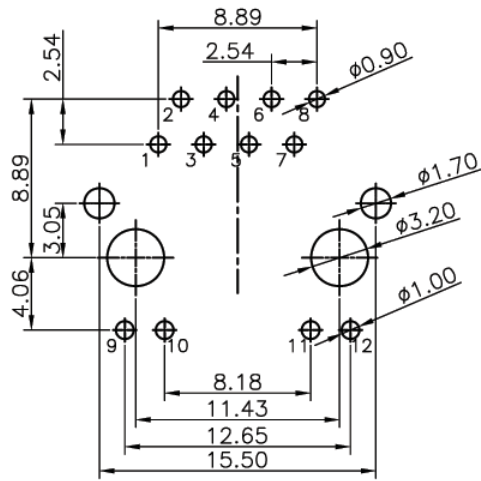
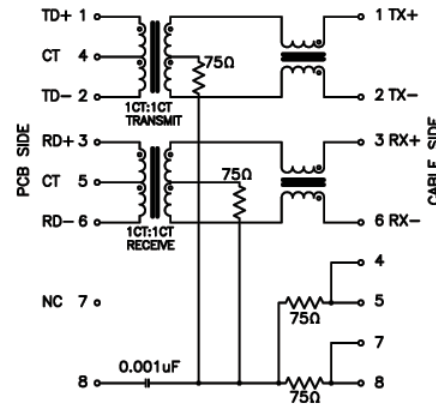
HOUSING MATERIAL: GLASS FILLED POLYESTER UL94V-0
 CONTACT MATERIAL: PHOSPHOR BRONZE t=0.35mm
 OPERATION LIFE: 750 CYCLES MIN.
 Pcb RETENTION PRE-SOLDER: 1LB MIN.
 Pcb RETENTION POST-SOLDER: 10LB MIN.

ELECTRICAL SPECIFICATIONS @25° OPERATING TEMPERATURE 0° TO 70°

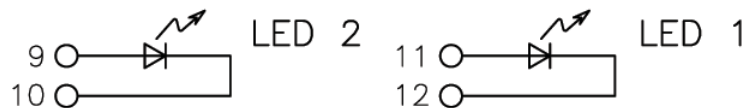
URNS RATIO ±5% : 1CT: 1CT (TX), 1CT:1CT (RX)
 INSERTION LOSS (dB MAX) : -1 (0.1-100MHz)
 RETURN LOSS (dB MIN) : -18 (1-30MHz), -16 (40MHz),
 -12 (50MHz), -10 (60-80MHz)
 CROSSTALK (dB MIN) : -40 (30MHz), -35 (60MHz), -30 (100MHz)
 COMMON MODE REJECTION (dB MIN) : -30 (30MHz), -20 (60MHz),
 -20 (100MHz)

HIPOT (Vms MIN) : 1500

SCHEMATICS



P.C.B. LAYOUT



TOLERANCES UNLESS OTHERWISE SPECIFIED ±0.25			SIGNATURES	DATE	MODEL
SYMBOL	UNIT	SCALE	DRAWN Frederick	22/JUN/05'	TITLE MODULAR JACK
△	mm	1/1	CHECKED Sam	22/JUN/05'	NO. MJK24TF-PA8810GftSb-L1
			APPROVALS		

Machrone