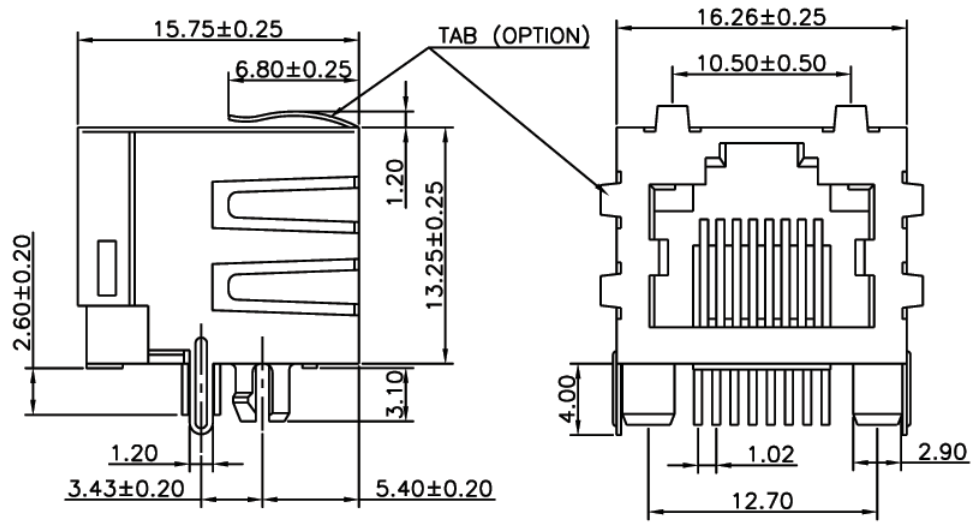


V1-1 NOTE: THIS DEVICE IS ROHS COMPLIANT.

REVISIONS							
SYM	DESCRIPTION	DATE	APPROVED	SYM	DESCRIPTION	DATE	APPROVED
△	NOTE ROHS STANDARD	29/MAR/05	AARON	△			
△				△			

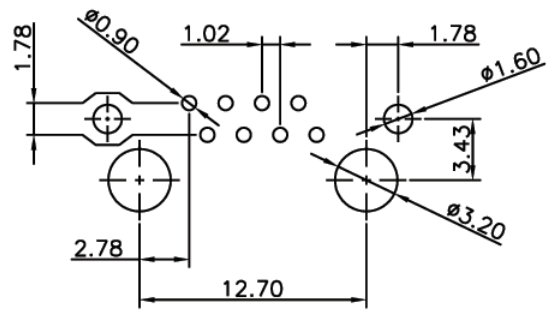
****CUSTOMER DRAWING FOR REFERENCE ONLY, SAMPLES APPROVAL ARE REQUIRED!!**

121



MATERIALS:
 HOUSING: DSM STANYL TE250F6 (NYLON-46)
 HEAT DEFLECTION TEMP.290°
 BLACK COLOR, UL94V-0
 CONTACTS : 0.35mm THICK PHOS-BRONZE PLATED
 WITH HARD GOLD AND TIN/LEAD IN
 SOLDER AREA.
 SHIELD: 0.25mm THICK COPPER ALLOY,
 PLATED WITH NICKEL.
 CAVITY CONFIRMS TO FCC RULES AND REGULATIONS
 PART 68,SUBPART F.

ORDER INFORMATION:
 MJK190-Pa881GftX
 MJK: MODULAR JACK
 190: SERIES NO.
 Pa: TERMINAL TYPE, PCB TYPE, RIGHT ANGLE
 88: NO. OF CONTACT, 8P8C
 1: COLOR OF PLASTIC, BLACK
 Gft: GOLD FLASH ON CONTACT, TIN PLATING ON SOLDER TAIL
 X: TAB OPTION
 S: SHIELDING WITHOUT PANEL GROUNDING TAB
 Sb: SHIELDED WITH PANEL GROUNDING TAB
 SbT: SHIELDED WITH TOP TAB



TOLERANCES UNLESS OTHERWISE SPECIFIED ±0.30			SIGNATURES	DATE	MODEL
SYMBOL	UNIT	SCALE	DRAWN Frederick	11/MAY/05	TITLE MODULAR JACK
△	mm	4/1	CHECKED Sam	11/MAY/05	NO. MJK190-Pa881GftX
			APPROVALS		

Machrone