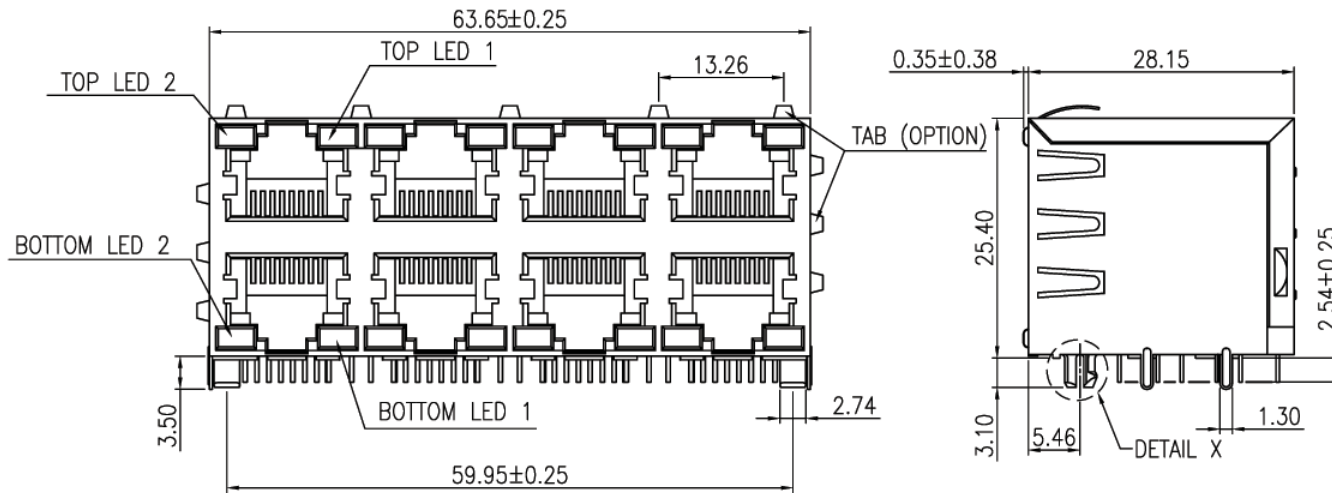


V1-1 NOTE: THIS DEVICE IS ROHS COMPLIANT.

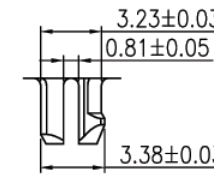
REVISIONS							
SYM	DESCRIPTION	DATE	APPROVED	SYM	DESCRIPTION	DATE	APPROVED
△	NOTE ROHS STANDARD	25/JAN/06	AARON	△			
△				△			
**CUSTOMER DRAWING FOR REFERENCE ONLY, SAMPLES APPROVAL ARE REQUIRED!!							123



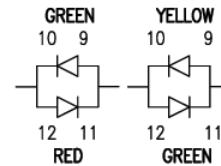
MATERIALS:
 HOUSING: DSM STANYL TE250F6 (NYLON-46)
 HEAT DEFLECTION TEMP.290°
 BLACK COLOR,UL94V-0
 CONTACTS: 0.35mm THICK PHOS-BRONZE PLATED
 WITH HARD GOLD AND TIN/LEAD IN
 SOLDER AREA.
 SHIELD-0.25mm THICK COPPER ALLOY,
 PLATED WITH TIN-LEAD.

INSULATION RESISTANCE: 500 MEGOHMS MINIMUM
 CURRENT RATING: 1.5 AMPS
 VOLTAGE RATING: 150 VOLTS AC
 CAVITY CONFIRMS TO FCC RULES AND REGULATIONS
 PART 68,SUBPART F.

ORDER INFORMATION:
 MJK190-Pa881GftX-8S-LX
 MJK: MODULAR JACK
 190: SERIES NO.
 Pa: TERMINAL TYPE, PCB TYPE, RIGHT ANGLE
 88: NO. OF CONTACT, 8P8C
 1: COLOR OF PLASTIC, BLACK
 Gft: GOLD FLASH ON CONTACT, TIN PLATING ON SOLDER
 X: TAB OPTION
 S: SHIELDING WITHOUT PANEL GROUNDING TAB
 Sb: SHIELDED WITH PANEL GROUNDING TAB
 SbT: SHIELDED WITH TOP TAB
 8: 8 PORTS
 S: STACKED
 LX: LED OPTION

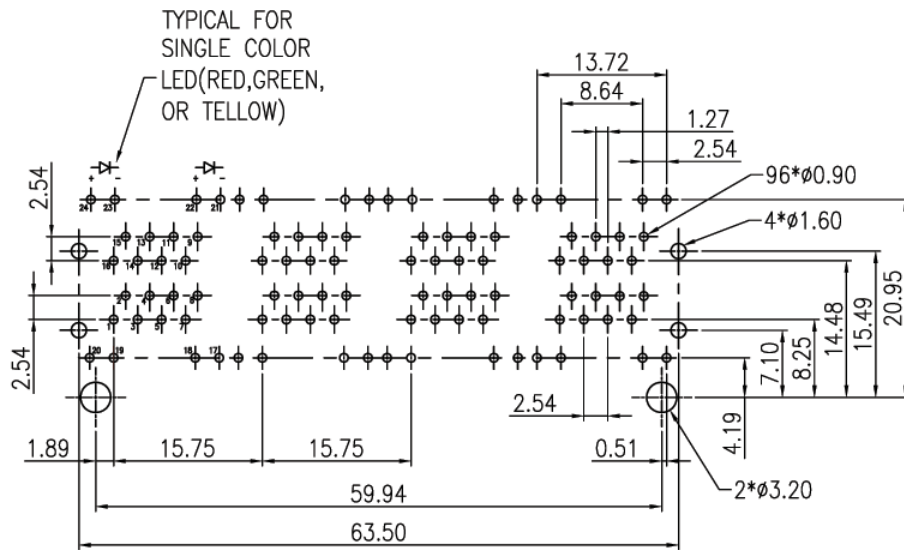


DETAIL X



BI-COLOUR LED DETAIL
 (GREEN/RED AND YELLOW/GREEN
 LED'SARD ALSO AVAILABLE)

LED TYPE	LED 2	LED 1
L1	YELLOW	GREEN
L2	GREEN	GREEN
L3	GREEN	YELLOW
L5	RED	GREEN
L7	YELLOW	YELLOW
L8	BI-COLOUR 8/7	BI-COLOUR 8/7



PC BOARD LAYOUT

TOLERANCES UNLESS OTHERWISE SPECIFIED ±0.25			SIGNATURES		DATE	MODEL
SYMBOL	UNIT	SCALE	DRAWN	Frederick	11/MAY/05'	TITLE
			CHECKED	Sam	11/MAY/05'	MODULAR JACK
			APPROVALS			NO.
△	mm	1/1				MJK190-Pa881GftX-8S-LX

Machrone