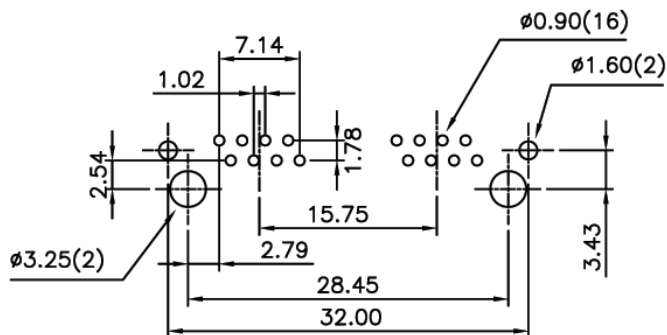
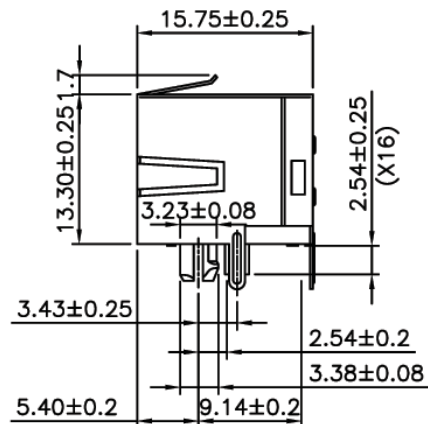
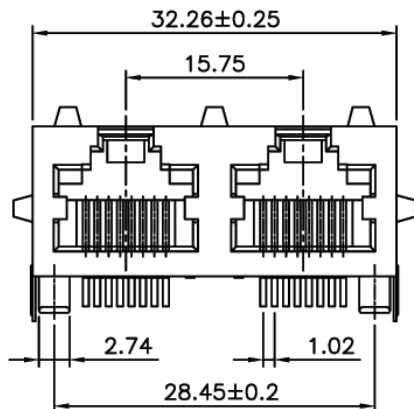


V1-1 NOTE: THIS DEVICE IS ROHS COMPLIANT.

REVISIONS							
SYM	DESCRIPTION	DATE	APPROVED	SYM	DESCRIPTION	DATE	APPROVED
△	NOTE ROHS STANDARD	15/AUG/05	CONNIE	△			
△				△			

****CUSTOMER DRAWING FOR REFERENCE ONLY, SAMPLES APPROVAL ARE REQUIRED!!**



RECOMMENDED P.C.B. LAYOUT

MATERIAL:

HOUSING: DSM STANYL TE250F6 (NYLON-46)
 HEAT DEFLECTION TEMP.290°
 BLACK COLOR, UL94V-0
 CONTACTS: 0.35mm THICK PHOS-BRONZE PLATED
 WITH HARD GOLD AND TIN/LEAD IN
 SOLDER AREA.
 SHIELD: 0.25mm THICK COPPER ALLOY,
 PLATED WITH NICKEL.

CAVITY CONFIRMS TO FCC RULES AND REGULATIONS
 PART 68,SUBPART F.

ORDER INFORMATION:

MJK190-Pa881GftSb-2
 MJK: MODULAR JACK
 190: SERIES NO.
 Pa: TERMINAL TYPE, PCB TYPE, RIGHT ANGLE
 88: NO. OF CONTACT, 8P8C
 1: COLOR OF PLASTIC, BLACK
 Gft: GOLD FLASH ON CONTACT, TIN PLATING ON SOLDER TAIL
 Sb: SHIELDED WITH PANEL GROUNDING TAB
 2: 2 OF PORT

TOLERANCES UNLESS OTHERWISE SPECIFIED ±0.30			SIGNATURES		DATE	MODEL
			DRAWN	Frederick	13/APR/05'	TITLE MODULAR JACK
SYMBOL △	UNIT mm	SCALE 4/1	CHECKED	Sam	13/APR/05'	NO. MJK190-Pa881GftSb-2
			APPROVALS			

Machrone