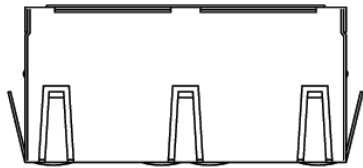


V1.1

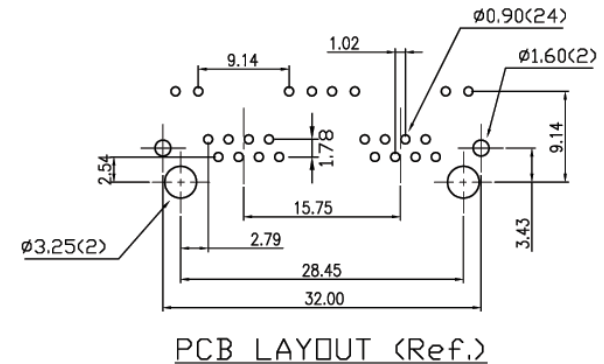
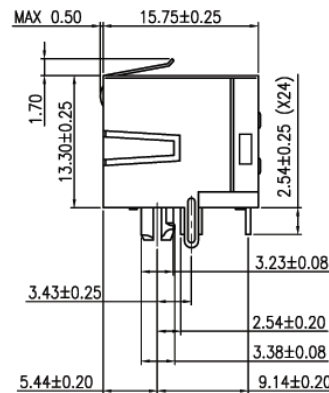
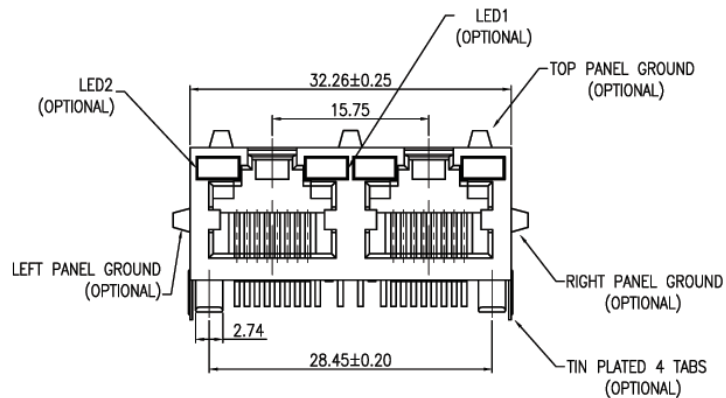
REVISIONS							
SYM	DESCRIPTION	DATE	APPROVED	SYM	DESCRIPTION	DATE	APPROVED
△				△			
△				△			

**\*\*CUSTOMER DRAWING FOR REFERENCE ONLY, SAMPLES APPROVAL ARE REQUIRED!!**



**MATERIAL:**  
**HOUSING:** DSM STANYL TE250F6 (NYLON-46)  
 HEAT DEFLECTION TEMP .290"  
 BLACK COLOR, UL94V-0  
**CONTACTS:** 0.35mm THICK PHOS-BRONZE PLATED WITH  
 HARD GOLD AND TIN/LEAD IN SOLDER AREA.  
**SHIELDED:** 0.25mm THICK COPPER ALLOY, PLATED WITH NICKEL.  
 CAVITY CONFORMS TO FCC RULES  
 AND REGULATIONS PART 68, SUBPART F.

**ORDER INFORMATION:**  
 MJK190-Pa881GfSb-2-LX  
 MJK: MODULAR JACK  
 190: SERIES NO.  
 Pa: TERMINAL TYPE, PCB TYPE, RIGHT ANGLE  
 88: NO. OF CONTACT, 8P8C  
 1: COLOR OF PLASTIC, BLACK  
 Gft: GOLD FLASH ON CONTACT, TIN PLATING ON SOLDER TAIL  
 Sb: SHIELDING OPTION, SHIELDED WITH PANEL GROUNDING TAB  
 2: 2 OF PORTS  
 LX: LED OPTIONS (SEE TABLE)



LX	LED2	LED1
L1	YELLOW	GREEN
L2	GREEN	GREEN
L3	GREEN	YELLOW
L5	GREEN	RED
L7	YELLOW	YELLOW
L8	BI-COLOUR G/Y	BI-COLOUR G/Y

LED OPTIONS

TOLERANCES UNLESS OTHERWISE SPECIFIED ±0.25			SIGNATURES		DATE	MODEL
SYMBOL	UNIT	SCALE	DRAWN	CONNIE	30/MAR/05'	TITLE
			CHECKED	FRED	30/MAR/05'	MODULAR JACK
			APPROVALS			NO.
△	mm	3/1				MJK190-Pa881GftSb-2-L_

**Machrone**