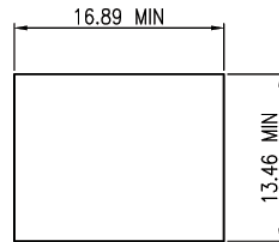
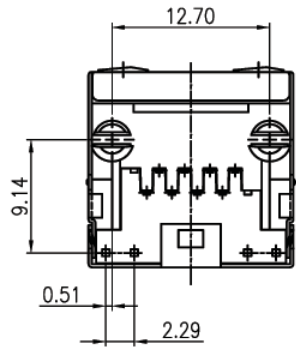
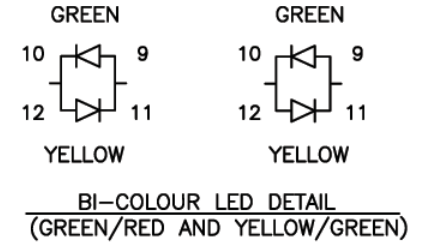
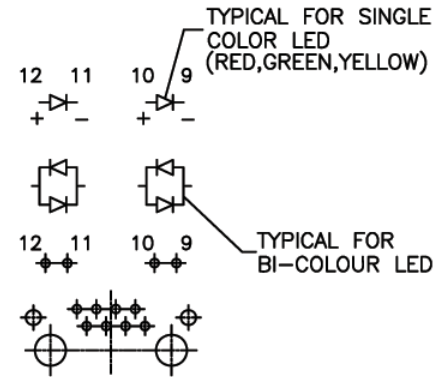
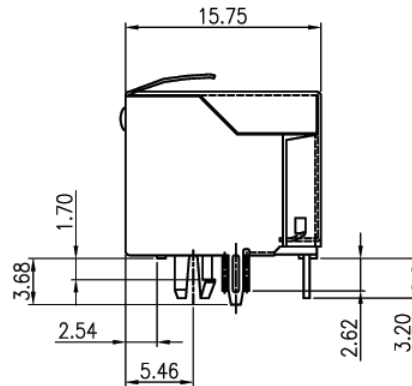
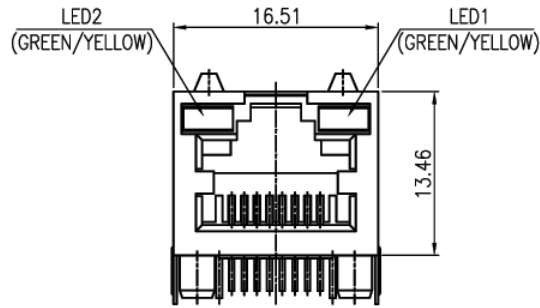


V1.2 NOTE: THIS DEVICE IS ROHS COMPLIANT.

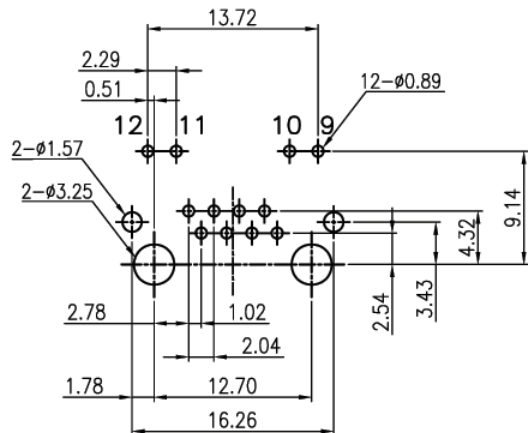
REVISIONS							
SYM	DESCRIPTION	DATE	APPROVED	SYM	DESCRIPTION	DATE	APPROVED
△				△			
△				△			

**\*\*CUSTOMER DRAWING FOR REFERENCE ONLY, SAMPLES APPROVAL ARE REQUIRED!!**

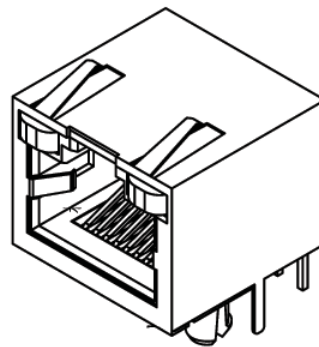
084



RECOMMENDED PANEL CUTOUT



PCB LAYOUT TOP VIEW



**MATERIAL:**  
 PLASTIC HOUSING: ENGINEERING THERMOPLASTIC  
 FLAMMABILITY RATING UL 94V-0  
 CONTACTS: PHOSPHOR-BRONZE  
 SHIELD: COPPER ALLOY PLATING NICKEL ALLOY

**ORDER INFORMATION:**  
 MJK190-Pa881GXSbT-L8  
 MJK: MODULAR JACK  
 190: SERIES NO.  
 Pa: TERMINAL TYPE, PCB TYPE, RIGHT ANGLE  
 88: NO. OF CONTACT, 8P8C  
 1: COLOR OF PLASTIC, BLACK  
 GX: CONTACT PLATING  
 Gft: GOLD FLASH ON CONTACT, TIN PLATING ON SOLDER TAIL  
 G15t: 15u" GOLD ON CONTACT, TIN PLATING ON SOLDER TAIL  
 G30t: 30u" GOLD ON CONTACT, TIN PLATING ON SOLDER TAIL  
 G50t: 50u" GOLD ON CONTACT, TIN PLATING ON SOLDER TAIL  
 SbT: SHIELDED WITH TOP PANEL GROUNDING TAB  
 L8: LED 1=BI-COLOUR G/Y, LED 2=BI-COLOUR G/Y

TOLERANCES UNLESS OTHERWISE SPECIFIED ±0.25			SIGNATURES		DATE	MODEL
SYMBOL	UNIT	SCALE	DRAWN	AARON	21/MAR/06'	TITLE
			CHECKED	CONNIE	21/MAR/06'	MODULAR JACK
			APPROVALS			NO.
△	mm	1/1				MJK190-Pa881G_SbT-L8

**Machrone**