

V1.1 NOTE: THIS DEVICE IS ROHS COMPLIANT.

REVISIONS							
SYM	DESCRIPTION	DATE	APPROVED	SYM	DESCRIPTION	DATE	APPROVED
△				△			
△				△			

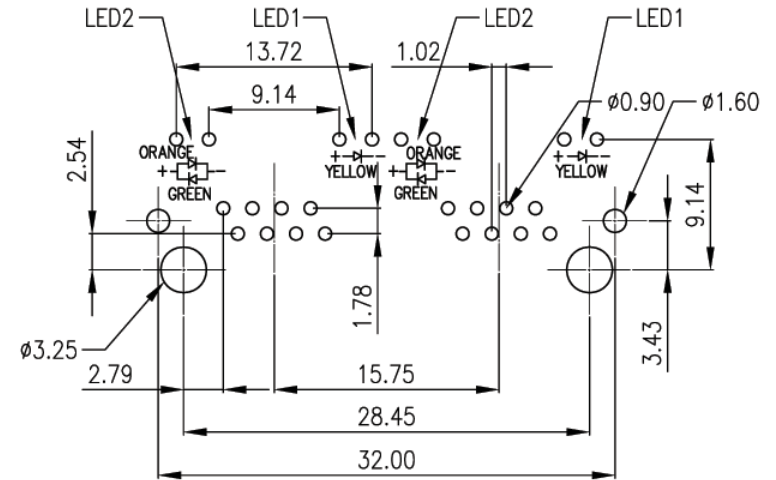
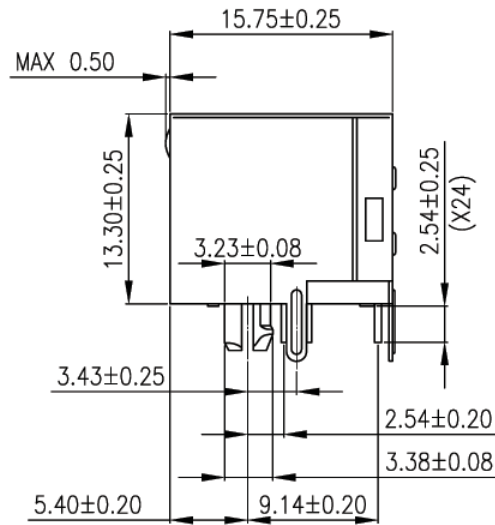
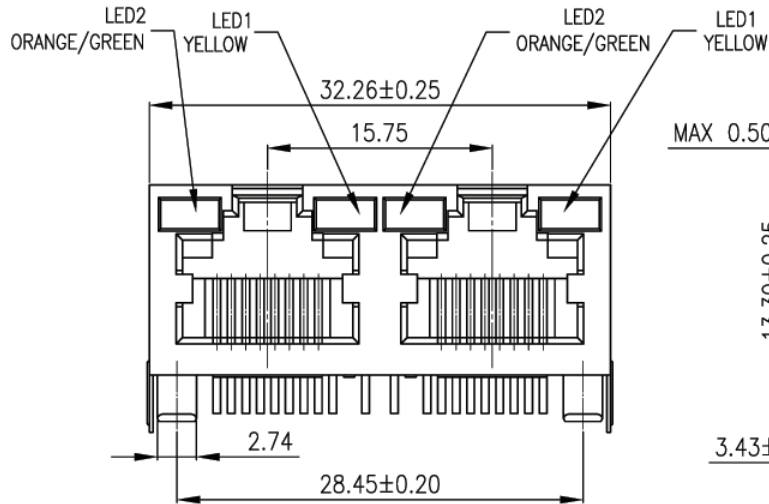
****CUSTOMER DRAWING FOR REFERENCE ONLY, SAMPLES APPROVAL ARE REQUIRED!!**

121

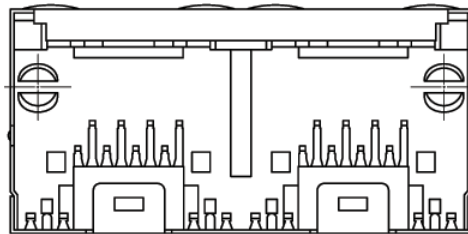


MATERIAL:
 HOUSING—DSM STANYL TE250F6 (NYLON-46)
 HEAT DEFLECTION TEMP.290°
 BLACK COLOR, UL94V-0
 CONTACTS -0.35mm THICK PHOS-BRONZE PLATED
 WITH HARD GOLD AND TIN/LEAD
 IN SOLDER AREA.
 SHIELD-0.25mm THICK COPPER ALLOY,
 PLATED WITH NICKEL.

ORDER INFORMATION:
 MJK190-Pa881GXS-2-L10
 MJK: MODULAR JACK
 190: SERIES NO.
 Pa: TERMINAL TYPE, PCB TYPE, RIGHT ANGLE
 88: NO. OF CONTACT, 8P8C
 1: COLOR OF PLASTIC, BLACK
 GX: CONTACT PLATING
 Gf: GOLD FLASH
 Gft: GOLD FLASH ON CONTACT, TIN PLATING ON SOLDER TAIL
 G15t: 15u" GOLD ON CONTACT, TIN PLATING ON SOLDER TAIL
 G30t: 30u" GOLD ON CONTACT, TIN PLATING ON SOLDER TAIL
 G50t: 50u" GOLD ON CONTACT, TIN PLATING ON SOLDER TAIL
 S: SHIELDED WITHOUT PANEL GROUNDING TAB
 2: 2 PORTS
 L10: LED 1=YELLOW, LED 2=BI-COLOUR O/G



PCB LAYOUT TOP VIEW (Ref.)



TOLERANCES UNLESS OTHERWISE SPECIFIED ±0.25			SIGNATURES		DATE	MODEL
SYMBOL	UNIT	SCALE	DRAWN	CONNIE	04/OCT/05'	TITLE
△	mm	2/1	CHECKED	WENDY	04/OCT/05'	MODULAR JACK
APPROVALS						NO. MJK190-Pa881G_S-2-L10

Machrone