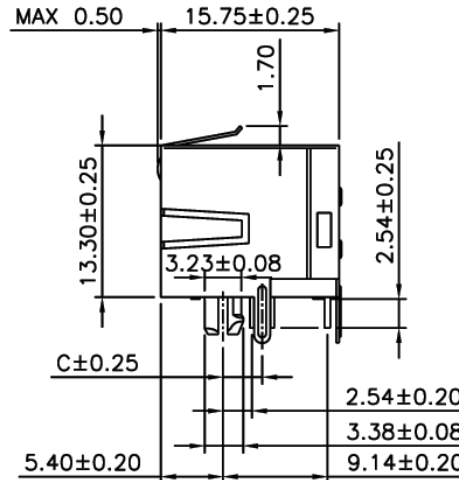
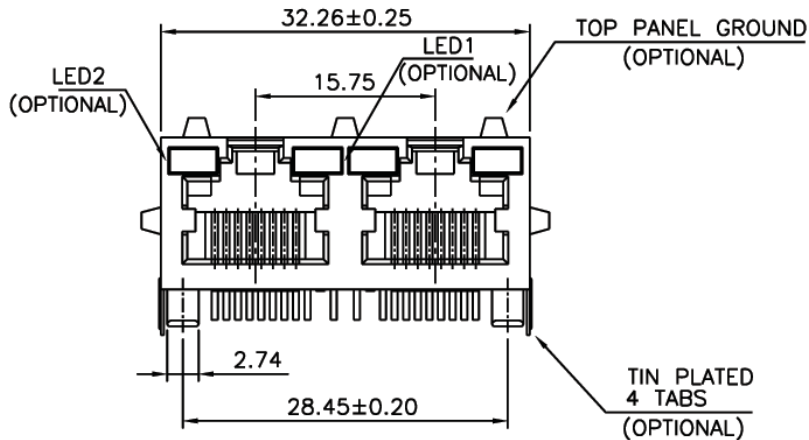


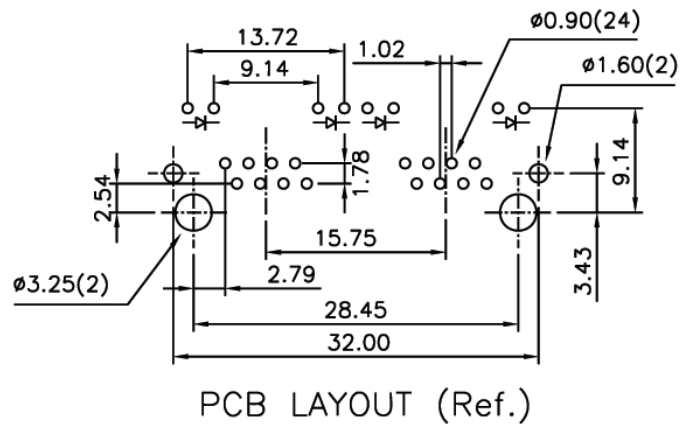
V1.1 NOTE: THIS DEVICE IS ROHS COMPLIANT.

REVISIONS							
SYM	DESCRIPTION	DATE	APPROVED	SYM	DISCIPTION	DATE	APPROVED
△				△			
△				△			

****CUSTOMER DRAWING FOR REFERENCE ONLY, SAMPLES APPROVAL ARE REQUIRED!!**



MATERIAL:
 HOUSING : DSM STANYL TE250F6 (NYLON-46)
 HEAT DEFLECTION TEMP.290°
 BLACK COLOR, UL94V-0
 CONTACTS : 0.35mm THICK PHOS-BRONZE PLATED
 WITH HARD GOLD AND TIN/LEAD IN
 SOLDER AREA.
 SHIELD : 0.25mm THICK COPPER ALLOY,
 PLATED WITH NICKEL.
ELECTRICAL :
 INSULATION RESISTANCE 500 MEGOHMS MINIMUM
 CURRENT RATING 1.5 AMPS
 VOLTAGE RATING 150 VOLTS AC
 CAVITY CONFIRMS TO FCC RULES AND REGULATIONS
 PART 68,SUBPART F.



LX	LED1	LED2
L1	GREEN	YELLOW
L2	GREEN	GREEN
L3	YELLOW	GREEN
L5	RED	GREEN
L7	YELLOW	YELLOW

LED OPTIONS

ORDER INFORMATION:
 MJK190-Po881G30tSb-2C-LX
 MJK: MODULAR JACK
 190: SERIES NO.
 Po: TERMINAL TYPE, PCB TYPE, RIGHT ANGLE
 88: NO. OF CONTACT, 8P8C
 1: COLOR OF PLASTIC, BLACK
 GX: CONTACT PLATING
 G30t: 30u" GOLD ON CONTACT,
 TIN PLATING ON SOLDER TAIL
 Sb: SHIELDED WITH PANEL GROUNDING TAB
 2C: 3.43mm ,PLASTIC PEG IN THE FRONT
 LX: LED OPTIONS

TOLERANCES UNLESS OTHERWISE SPECIFIED ±0.3			SIGNATURES		DATE	MODEL
SYMBOL	UNIT	SCALE	DRAWN	CONNIE	04/NOV/05'	TITLE
			CHECKED	AARON	04/NOV/05'	MODULAR JACK
			APPROVALS			NO.
△	mm	2/1				MJK190-Po881G30tSb-2C-LX

Machrone