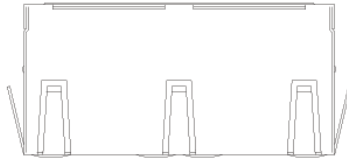


V1.1

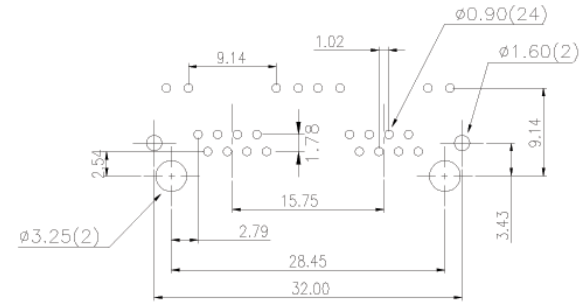
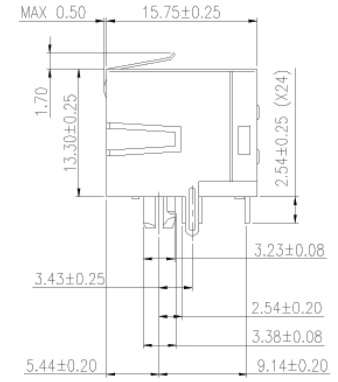
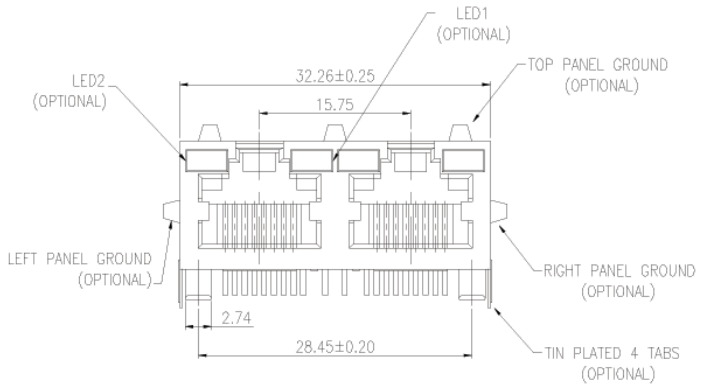
REVISIONS							
SYM	DESCRIPTION	DATE	APPROVED	SYM	DESCRIPTION	DATE	APPROVED
△				△			
△				△			

****CUSTOMER DRAWING FOR REFERENCE ONLY, SAMPLES APPROVAL ARE REQUIRED!!**

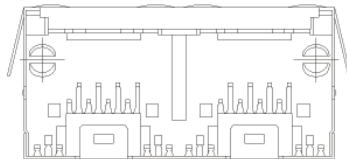


MATERIAL:
 HOUSING: DSM STANYL TE250F6 (NYLON-46)
 HEAT DEFLECTION TEMP .290"
 BLACK COLOR, UL94V-0
 CONTACTS: 0.35mm THICK PHOS-BRONZE PLATED WITH
 HARD GOLD AND TIN/LEAD IN SOLDER AREA.
 SHIELDED: 0.25mm THICK COPPER ALLOY, PLATED WITH NICKEL.
 CAVITY CONFORMS TO FCC RULES
 AND REGULATIONS PART 68, SUBPART F.

ORDER INFORMATION:
 MJK190-Pa881G30tSb-2-LX
 MJK: MODULAR JACK
 190: SERIES NO.
 Pa: TERMINAL TYPE, PCB TYPE, RIGHT ANGLE
 88: NO. OF CONTACT, 8P8C
 1: COLOR OF PLASTIC, BLACK
 G30t: 30u" GOLD ON CONTACT, TIN PLATING ON SOLDER TAIL
 Sb: SHIELDING OPTION, SHIELDED WITH PANEL GROUNDING TAB
 2: 2 OF PORTS
 LX: LED OPTIONS (SEE TABLE)



PCB LAYOUT (Ref.)



LX	LED2	LED1
L1	YELLOW	GREEN
L2	GREEN	GREEN
L3	GREEN	YELLOW
L5	GREEN	RED
L7	YELLOW	YELLOW
L8	BI-COLOUR G/Y	BI-COLOUR G/Y

LED OPTIONS

TOLERANCES UNLESS OTHERWISE SPECIFIED ±0.25			SIGNATURES		DATE	MODEL
SYMBOL	UNIT	SCALE	DRAWN	CONNIE	30/MAR/05*	TITLE
			CHECKED	FRED	30/MAR/05*	MODULAR JACK
			APPROVALS			NO.
△	mm	3/1				MJK190-Pa881G30tSb-2-L_

Machrone