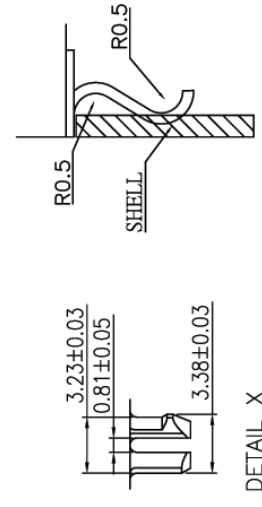
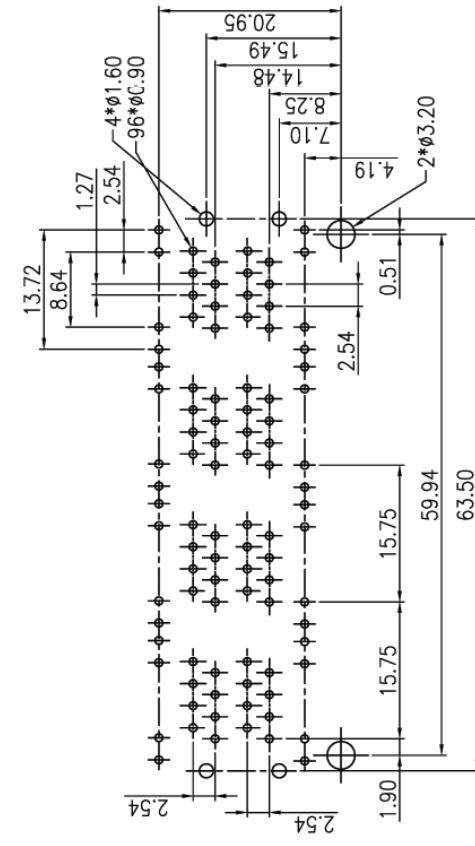
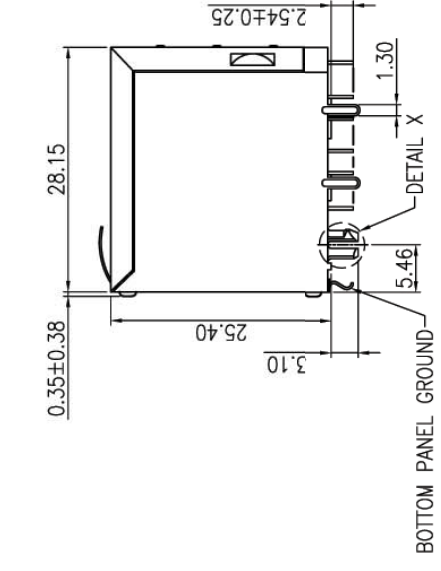
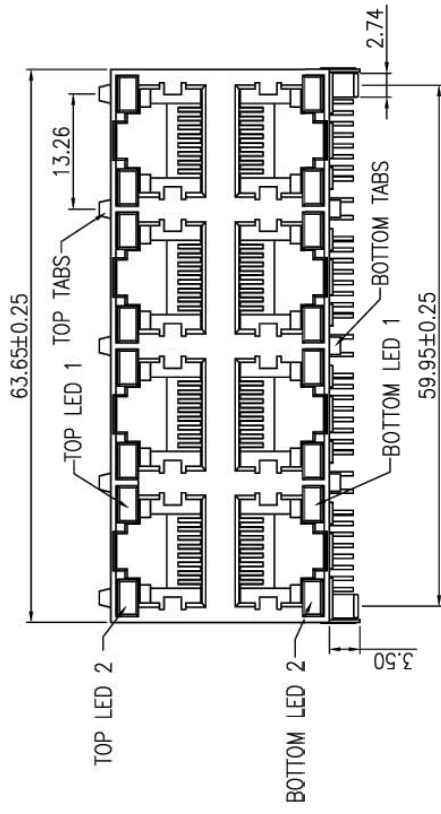


8	7	6	5	4	3	2	1
V1.1 NOTE: THIS DEVICE IS ROHS COMPLIANT.							
SYM		DESCRIPTION	DATE	APPROVED	SYM	DESCRIPTION	DATE
△		ADD INFORMATION	25/JUN/05	Frederick	△		
△		NOTE ROHS STANDARD	14/MAR/06	AARON	△		
**CUSTOMER DRAWING FOR REFERENCE ONLY, SAMPLES APPROVAL ARE REQUIRED!!							



TOLERANCES UNLESS OTHERWISE SPECIFIED		SIGNATURES		DATE		MODEL	
±0.3		DRAWN Frederick		20/SEP/04		TITLE MODULAR JACK	
SYMBOL △		CHECKED Sam		20/SEP/04		NO. MJK1882-Pa881G_SbTB-8S-L	
UNIT mm		APPROVALS					
SCALE 2/1							

Machrone

8	7	6	5	4	3	2	1
VI.1.1 NOTE: THIS DEVICE IS ROHS COMPLIANT.							
SYM		DESCRIPTION	DATE	APPROVED	SYM	DESCRIPTION	DATE
△		ADD INFORMATION	25/09/05	Frederick	△		
△		NOTE ROHS STANDARD	14/09/06	AARON	△		
**CUSTOMER DRAWING FOR REFERENCE ONLY, SAMPLES APPROVAL ARE REQUIRED!!							

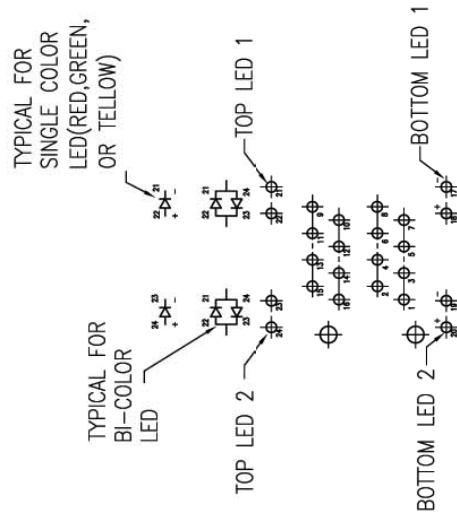
MATERIALS:
 HOUSING:DSM STANYL TE250F6 (NYLON-46)
 HEAT DEFLECTION TEMP:290°
 BLACK COLOR,UL94V-0
 CONTACTS:0.35mm THICK PHOS-BRONZE PLATED WITH HARD GOLD AND TIN/LEAD IN SOLDER AREA.
 SHIELD-0.25mm THICK COPPER ALLOY, PLATED WITH TIN-LEAD.
 INSULATION RESISTANCE: 500 MEGOHMS MINIMUM
 CURRENT RATING: 1.5 AMPS
 VOLTAGE RATING: 150 VOLTS AC
 CAVITY CONFIRMS TO FCC RULES AND REGULATIONS PART 68,SUBPART F.

POLYBUTYLENE TEREPHTHALATE(PBT),
 30% GLASS FIBER REINFORCED,
 FURNISHED AS PELLETS. UL NO: E107536

ORDER INFORMATION:
 MJK1882-P0881GXSBTB-8S-LX
 MJK: MODULAR JACK
 1882: SERIES NO.

Pc: TERMINAL TYPE, PCB TYPE, RIGHT ANGLE
 88: NO. OF CONTACT, 8P8C
 1: COLOR OF PLASTIC, BLACK
 GX: CONTACT PLATING

Gt: GOLD FLASH ON CONTACT, TIN PLATING ON SOLDER TAIL
 G15t: 15u" GOLD ON CONTACT, TIN PLATING ON SOLDER TAIL
 G30t: 30u" GOLD ON CONTACT, TIN PLATING ON SOLDER TAIL
 G50t: 50u" GOLD ON CONTACT, TIN PLATING ON SOLDER TAIL
 SBTB: SHIELDED WITH TOP AND BOTTOM TAB
 8: 8 PORTS
 S: STACKED
 LX: LED OPTIONS



LED SCHEMATIC

GREEN	GREEN	LED1	LED2
YELLOW	ORANGE	GREEN	YELLOW
RED	RED	GREEN	GREEN
GREEN	YELLOW	YELLOW	GREEN
		L7	RED
		L5	GREEN
		L3	GREEN
		L2	GREEN
		L1	YELLOW
		LX	BI-COLOR LED

BI-COLOR LED DETAIL

* LED OPTIONS

TOLERANCES UNLESS OTHERWISE SPECIFIED ±0.3		SIGNATURES		DATE		MODEL	
SYMBOL	UNIT	SCALE	DRAWN	Frederick	20/SEP/04	TITLE	MODULAR JACK
△	mm	2/1	CHECKED	Sam	20/SEP/04	NO.	MJK1882-P0881G_SbTB-8S-L
			APPROVALS				

M a c h r o n e

8	7	6	5	4	3	2	1
---	---	---	---	---	---	---	---