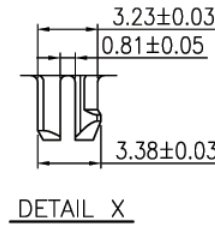
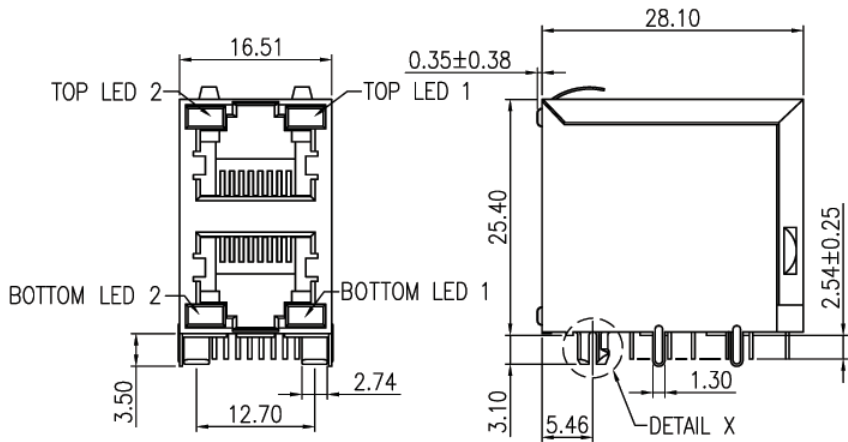


V1.1 NOTE: THIS DEVICE IS ROHS COMPLIANT.

REVISIONS					
SYM	DESCRIPTION	DATE	APPROVED	SYM	DESCRIPTION
△	ADD IMFORMATION	25/JAN/05'	Frederick	△	
△	NOTE ROHS STANDARD	14/APR/06'	AARON	△	

**\*\*CUSTOMER DRAWING FOR REFERENCE ONLY, SAMPLES APPROVAL ARE REQUIRED!!**

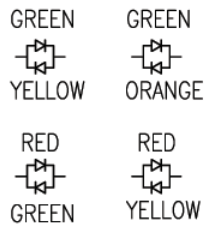
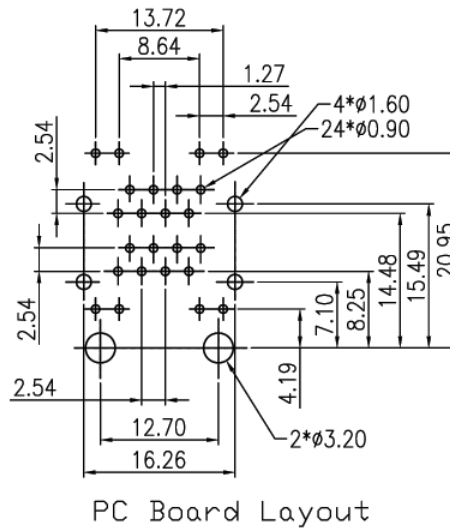
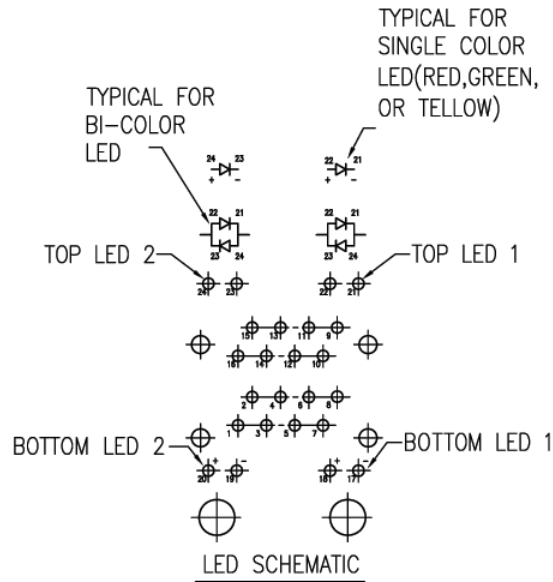


**MATERIALS:**  
 HOUSING: DSM STANYL TE250F6 (NYLON-46)  
 HEAT DEFLECTION TEMP. 290°  
 BLACK COLOR, UL94V-0  
 CONTACTS: 0.35mm THICK PHOS-BRONZE PLATED WITH HARD GOLD AND TIN/LEAD IN SOLDER AREA.  
 SHIELD-0.25mm THICK COPPER ALLOY, PLATED WITH TIN-LEAD.

**INSULATION RESISTANCE: 500 MEGOHMS MINIMUM**  
**CURRENT RATING: 1.5 AMPS**  
**VOLTAGE RATING: 150 VOLTS AC**  
 CAVITY CONFIRMS TO FCC RULES AND REGULATIONS PART 68, SUBPART F.

POLYBUTYLENE TEREPHTHALATE (PBT),  
 30% GLASS FIBER REINFORCED,  
 FURNISHED AS PELLETS. UL NO: E107536

**ORDER INFORMATION:**  
 MJK1882-Pa881GXsBT-2S-LX  
 MJK: MODULAR JACK  
 1882: SERIES NO.  
 Pa: TERMINAL TYPE, PCB TYPE, RIGHT ANGLE  
 88: NO. OF CONTACT, 8P8C  
 1: COLOR OF PLASTIC, BLACK  
 GX: CONTACT PLATING  
 Gf: GOLD FLASH ON CONTACT, TIN PLATING ON SOLDER TAIL  
 G15t: 15u" GOLD ON CONTACT, TIN PLATING ON SOLDER TAIL  
 G30t: 30u" GOLD ON CONTACT, TIN PLATING ON SOLDER TAIL  
 G50t: 50u" GOLD ON CONTACT, TIN PLATING ON SOLDER TAIL  
 Sbt: SHIELDED WITH TOP TAB  
 2: 2 PORTS  
 S: STACKED  
 LX: LED OPTIONS



LX	LED1	LED2
L1	GREEN	YELLOW
L2	GREEN	GREEN
L3	YELLOW	GREEN
L5	RED	GREEN
L7	YELLOW	YELLOW

※ LED OPTIONS

TOLERANCES UNLESS OTHERWISE SPECIFIED ±0.3			SIGNATURES	DATE	MODEL
SYMBOL	UNIT	SCALE	DRAWN Frederick	24/MAY/04'	TITLE MODULAR JACK
△	mm	2/1	CHECKED Sam	24/MAY/04'	NO. MJK1882-Pa881G_SbT-2S-L
			APPROVALS		

**Machrone**