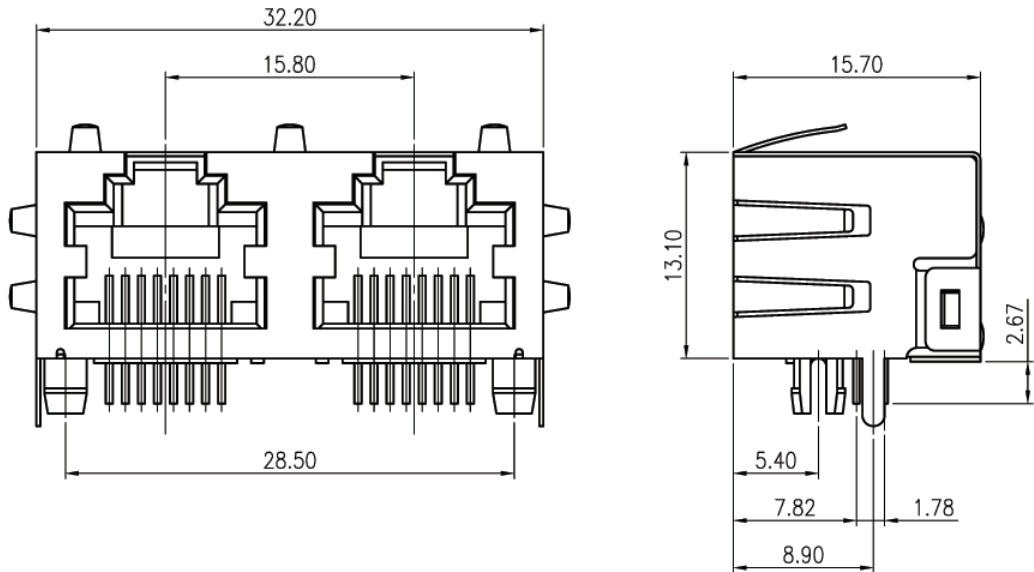


V1.1 NOTE: THIS DEVICE IS ROHS COMPLIANT.

		REVISIONS					
SYM	DISCRIPTION	DATE	APPROVED	SYM	DISCRIPTION	DATE	APPROVED
△	NOTE ROHS STANDARD	18/JUN/06'	AARON	△			
△				△			



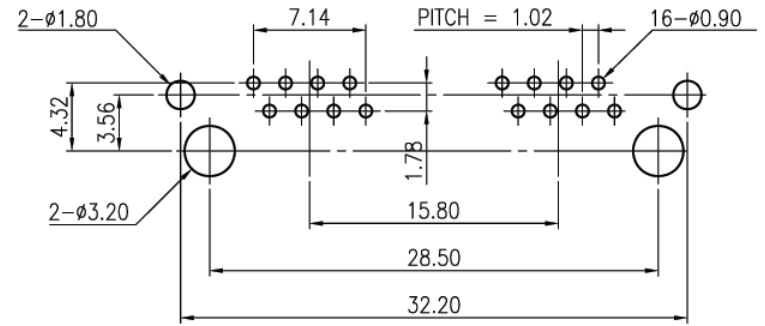
- NOTES:**
- ELECTRICAL:**
1. VOLTAGE RATING: AC 125V RMS.
 2. CURRENT RATING: 1.5A.
 3. CONTACT RESISTANCE: 30mΩ MAX.
 4. INSULATION RESISTANCE: 1000MΩ MIN. AT DC 500V.
 5. DIELECTRIC STRENGTH: AC 1000V RMS 60Hz, 1 MINUTE.
 6. OPERATING: 750 CYCLES MIN.

- MECHANICAL:**
1. HOUSING MATERIAL: PBT+30%G.F. UL94V-0. COLOR: BLACK.
 2. INSERT MATERIAL: PBT+30%G.F. UL94V-0. COLOR: BLACK.
 3. BACK PLATE MATERIAL: PBT+30%G.F. COLOR: BLACK.
 4. SHIELD MATERIAL: COPPER ALLOY 0.25mm THICKNESS PLATING NI.
 5. CONTACT MATERIAL: PHOSPHOR BRONZE 0.35mm THICKNESS.
 6. PLATING: GOLD PLATING OVER NICKEL.
 7. P.C.B. RETENTION PRE-SOLDER: 1LB MIN.
 8. P.C.B. RETENTION POST-SOLDER: 10LBS MIN.

- ENVIRONMENTAL:**
1. STORAGE: -40°C TO +85°C.
 2. OPERATION: 0°C TO 70°C.

MATES WITH MODULAR PLUG CONFORMING TO FCC PART 68, SUBPART F.

ORDER INFORMATION:
 MJK188-Pa881GXsb-2
 MJK: MODULAR JACK
 188: SERIES NO.
 Pa: PCB TYPE, RIGHT ANGLE
 88: NO. OF CONTACT, 8P8C
 1: COLOR OF PLASTIC, BLACK
 GX: CONTACT PLATING OPTION
 -Gf: GOLD FLUSH
 -Gft: GOLD FLUSH ON CONTACT, TIN PLATING ON SOLDER TAIL
 -G15t: 15u" GOLD ON CONTACT, TIN PLATING ON SOLDER TAIL
 -G30t: 30u" GOLD ON CONTACT, TIN PLATING ON SOLDER TAIL
 -G50t: 50u" GOLD ON CONTACT, TIN PLATING ON SOLDER TAIL
 Sb: SHIELDING OPTION, WITH PANEL GROUNDING TAB
 2: TWO PORTS



RECOMMENDED P.C.B. LAYOUT

TOLERANCES UNLESS OTHERWISE SPECIFIED ±0.25			SIGNATURES		DATE	MODEL
SYMBOL	UNIT	SCALE	DRAWN	VIVI	11/JUN/03'	TITLE
			CHECKED	ZOLA	11/JUN/03'	NO.
			APPROVALS			MJK188-Pa881G_Sb-2

Machrone