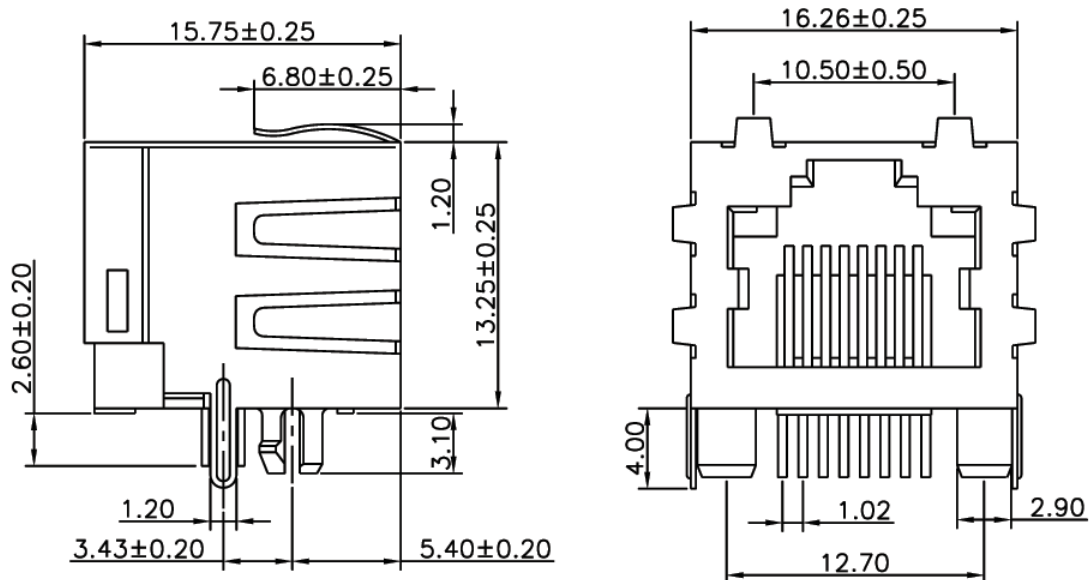


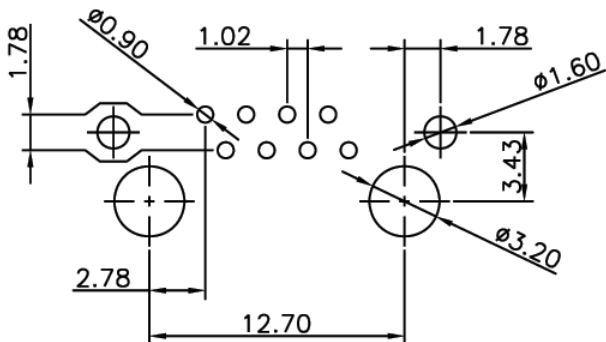
V1.1 NOTE: THIS DEVICE IS ROHS COMPLIANT.

REVISIONS							
SYM	DESCRIPTION	DATE	APPROVED	SYM	DESCRIPTION	DATE	APPROVED
△	NOTE ROHS STANDARD	18/JAN/06	AARON	△			
△				△			

****CUSTOMER DRAWING FOR REFERENCE ONLY, SAMPLES APPROVAL ARE REQUIRED!!**



MATERIALS:
 HOUSING: DSM STANYL TE250F6 (NYLON-46)
 HEAT DEFLECTION TEMP.290°
 BLACK COLOR, UL94V-0
 CONTACTS : 0.35mm THICK PHOS-BRONZE PLATED
 WITH HARD GOLD AND TIN/LEAD IN
 SOLDER AREA.
 SHIELD: 0.25mm THICK COPPER ALLOY,
 PLATED WITH NICKEL.
 CAVITY CONFIRMS TO FCC RULES AND REGULATIONS
 PART 68,SUBPART F.



RECOMMENDED P.C.B. LAYOUT

ORDER INFORMATION:
 MJK188-Pa881G30tSb
 MJK: MODULAR JACK
 188: SERIES NO.
 Pa: TERMINAL TYPE, PCB TYPE, RIGHT ANGLE
 88: NO. OF CONTACT, 8P8C
 1: COLOR OF PLASTIC, BLACK
 G30t: 30u" GOLD ON CONTACT, TIN PLATING ON SOLDER TAIL
 Sb: SHIELDED WITH PANEL GROUNDING TAB

TOLERANCES UNLESS OTHERWISE SPECIFIED ±0.3			SIGNATURES	DATE	MODEL
SYMBOL	UNIT	SCALE	DRAWN Frederick	26/MAY/03'	TITLE MODULAR JACK
△	mm	5/1	CHECKED ZOLA	26/MAY/03'	NO. MJK188-Pa881G30tSb
			APPROVALS		

Machrone