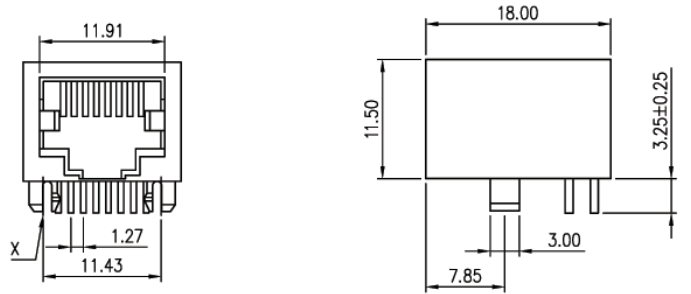
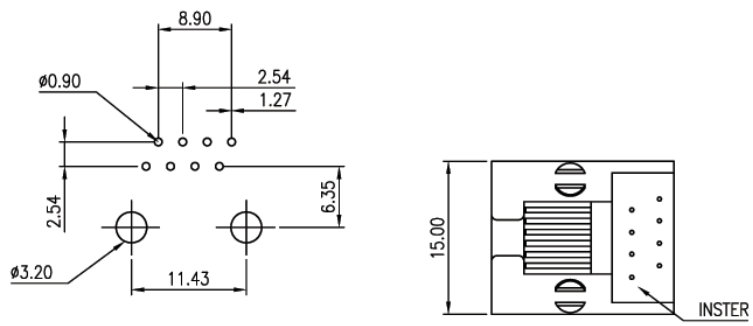


REVISIONS							
SYM	DESCRIPTION	DATE	APPROVED	SYM	DESCRIPTION	DATE	APPROVED
△				△			
△				△			

****CUSTOMER DRAWING FOR REFERENCE ONLY, SAMPLES APPROVAL ARE REQUIRED!!**

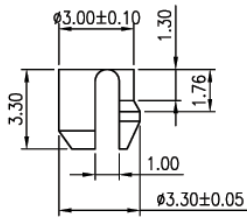


MATERIALS:
 HOUSING—PBT POLYESTER UL94V-0
 MIXED GLASS FIBER.
 STANDARD COLOR—BLACK
 CONTACTS —0.45mm DIA. ROUND CONTACTS
 PHOS—BRONZE PLATED WITH HARD GOLD.
 CAVITY CONFIRMS TO FCC RULES AND REGULATIONS
 PART 68,SUBPART F.



ORDER INFORMATION:
 MJK004—Pa881GX
 MJK: MODULAR JACK
 004: SERIES NO.
 Pa: TERMINAL TYPE, PCB TYPE, RIGHT ANGLE
 0X: NO. OF CONTACT
 88: CONTACT, 8P8C
 1: COLOR OF PLASTIC, BLACK
 GX: CONTACT PLATING OPTION
 Gft: GOLD FLASH ON CONTACT, TIN PLATED ON SOLDER TAIL
 G15t: 15u" GOLD ON CONTACT, TIN PLATED ON SOLDER TAIL
 G30t: 30u" GOLD ON CONTACT, TIN PLATED ON SOLDER TAIL
 G50t: 50u" GOLD ON CONTACT, TIN PLATED ON SOLDER TAIL

PC Board Layout



DETAIL X

TOLERANCES UNLESS OTHERWISE SPECIFIED ±0.25			SIGNATURES		DATE	MODEL	
SYMBOL	UNIT	SCALE	DRAWN	CONNIE	30/JUN/05'	TITLE	MODULAR JACK
			CHECKED	SAM	30/JUN/05'	NO.	MJK004—Pa881G_
			APPROVALS				

Machrone