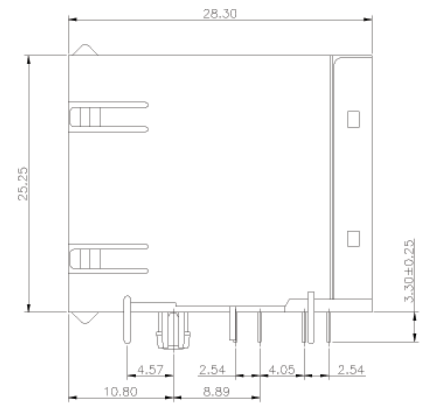
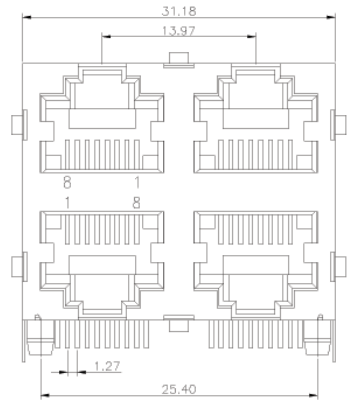


V1-1

REVISIONS							
SYM	DESCRIPTION	DATE	APPROVED	SYM	DESCRIPTION	DATE	APPROVED
△				△			
△				△			

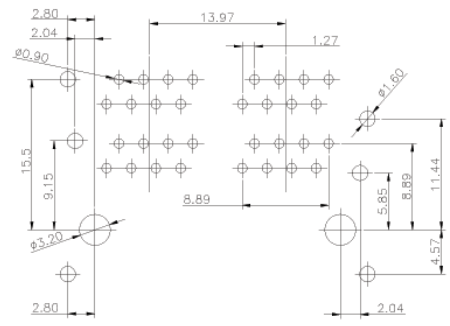
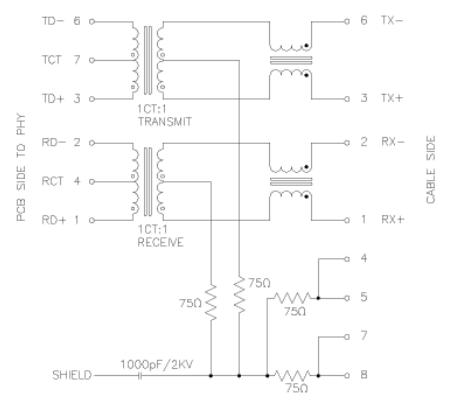
****CUSTOMER DRAWING FOR REFERENCE ONLY, SAMPLES APPROVAL ARE REQUIRED!!**

100



ELECTRICAL SPECIFICATION @25°C-OPERATING TEMPERATURE 0°C TO 70°C
 TURNS RATIO : 1CT:1 (TX), 1CT:1 (RX)
 INSERTION LOSS (dB TYP) : -1.0 (1-80MHz), -1.2 (100MHz)
 RETURN LOSS (dB TYP) 100Ω ±15Ω :
 -14 (1-60MHz), -10 (60-100MHz)
 CROSSTALK (dB MIN) : -35(100MHz)
 COMMON MODE REJECTION (dB TYP) : -30 (1-100MHz)
 HIPOT (Vrms) : 1500 (@60Hz 1MIN)
 OCL : 350uH MIN@8mA bias

SCHEMATICS



RECOMMENDED P.C.B. LAYOUT

83G-1203ND2

TOLERANCES UNLESS OTHERWISE SPECIFIED ±0.25			SIGNATURES		DATE	MODEL
			DRAWN Frederick		24/JUN/05'	TITLE
			CHECKED Sam		24/JUN/05'	MODULAR JACK
SYMBOL			APPROVALS			NO.
△						83G-1203ND2

Machrone