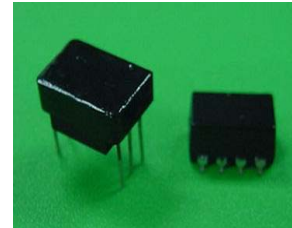


30T - SERIES

TRANSFORMER FOR DIGITAL AUDIO DATA TRANSMISSION

FEATURES

- Operating transmission rates: 1 to 7Mbps
- Controlled rise time : 25nsec max
- High Isolation Voltage: 2KV min



TEST CONDITIONS

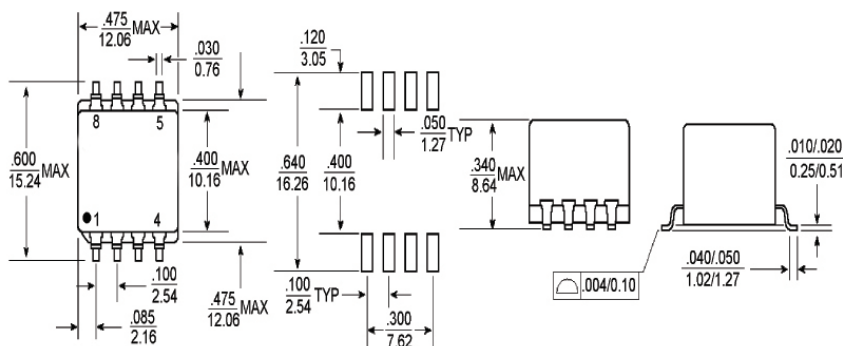
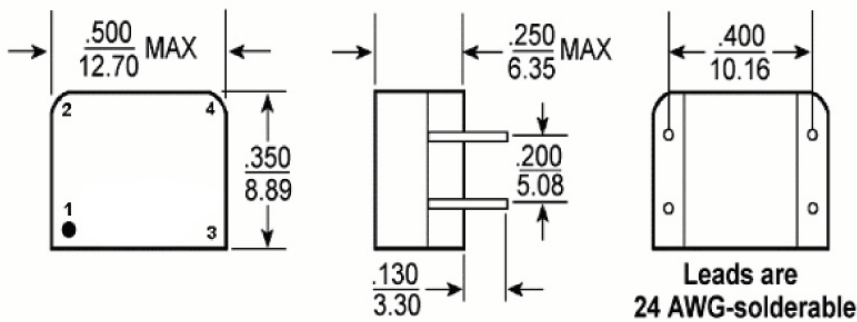
- Inductance 100KHz/50mV
- Leakage Inductance 100KHz/50mV

ELECTRICAL SPECIFICATIONS

Part Number	Turns Ratio (±5%)	Primary Inductance (mH±5%)	L _L Sec. (μH) max.	Rise Time (nsec) max	Et (V-μsec) max	Isolation (Vrms) min	Bandwidth 100KHz 10MHz	Return Loss 100KHz 10MHz	Schematic
30T-2521	1:1	2.5	0.50	25	20	2000	3dB	22dB	THT
30T-2521S	1:1	2.5	0.50	25	20	2000	3dB	22dB	SMT

MARKINGS AND DIMENSIONS

Dimensions: inches/mm unless otherwise specified, all tolerances are ±.005/±0.13



SCHEMATICS

